

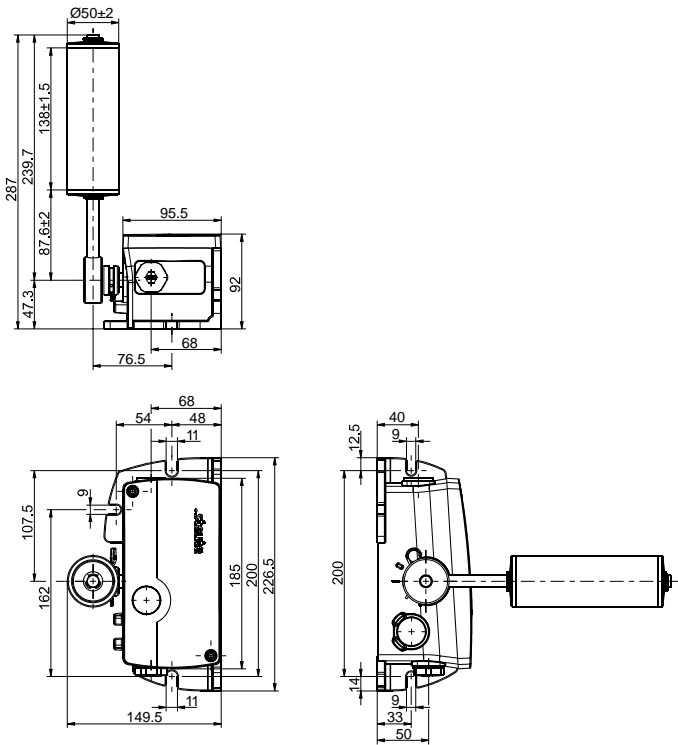


## Belt alignment switch Extreme ZS 92 SR 22 P -40°C ... +85°C IP66/67 Extreme Material number: 1452080

### Features/Options:

- Temperature resistant from -40 °C to +85 °C
- High degree of protection IP 66 / IP 67
- Corrosion-resistant aluminium enclosure
- Screws and belt-alignment roller made of stainless steel
- With staggered contacts, adjustable from 5° to 35°
- Belt alignment lever adjustable in 12° steps using a self-locking mechanism
- Back and base mounting possible

### Dimensions



### Technical data

Applied standards	EN 60947-5-1
Enclosure	aluminium, corrosion-resistant, powder-coated, passivated, impact resistant, anthracite grey, similar to RAL 7016
Cover	aluminium, corrosion-resistant, powder-coated, passivated, impact resistant, signal yellow, similar to RAL 1003
Tightening torque	cover screws: max. 2.5 Nm
Degree of protection	IP 66/67 to IEC/EN 60529
B <sub>10d</sub> (10 % load)	2 million
T <sub>M</sub>	max. 20 years
Contact material	silver
Switching elements	2 NC/2 NO contacts, type Zb
Switching system	snap action, positive break NC contacts $\ominus$
Switching points	adjustable 5° to 35°; pre-adjustment setting 2 x 10°
Connection	screw connection terminals
Cable cross-section	max. 2.5 mm <sup>2</sup> (incl. conductor ferrules)
Cable entry	2 x M25 x 1.5
Rated impulse withstand voltage U <sub>imp</sub>	6 kV
Rated operating isolation voltage U <sub>i</sub>	400 V
Conventional thermal current I <sub>the</sub>	4 A
Conditional short-circuit current	1100 A
Rated operating current/voltage I <sub>e</sub> /U <sub>e</sub>	4 A/400 VAC; 0.25 A/250 VDC; 0.55 A/125 VDC; 2.5 A/48 VDC; 3 A/24 VDC

Errors and omissions excepted.

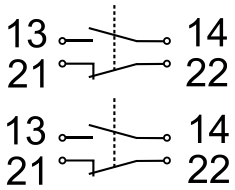


## Belt alignment switch Extreme ZS 92 SR 22 P -40°C ... +85°C IP66/67 Extreme Material number: 1452080

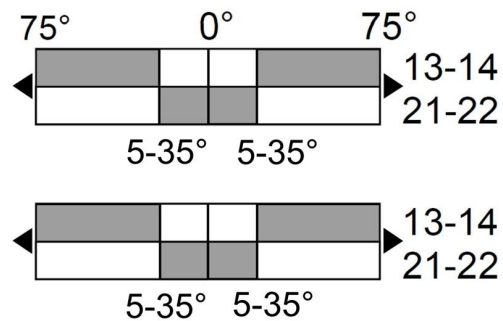
### Technical data

Utilisation category	AC-15; DC-13
Short-circuit protection	4 A gG/gN fuse
Mechanical life	> 1 000 000 operations at max. 45° operating angle
Operation cycles	max. 600/h
Ambient temperature	-40 °C ... +85 °C
Degree of pollution	3
Approvals	
Weight	2280 g

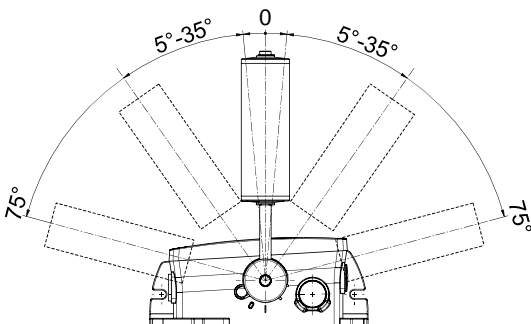
### Contact diagram



### Switching diagram



### Switching points



Errors and omissions excepted.