

Ex-safety switches



3-pole



3-pole EMERGENCY STOP



6-pole



6-pole EMERGENCY STOP

Technical data

5

Ex-safety switches 40 A

Marking accd. to 94/9/EC	Ⓔ II 2 G Ex ed ia IIC T6 / Ⓔ II 2 D Ex tD A21 IP66 T80 °C	
EC-Type Examination Certificate	PTB 99 ATEX 1161	
IECEX Certificate of Conformity	BKI 07.0012	
Marking accd. to IECEX	Ex ed ia IIC T6 Ex tD A21 IP66 T53 °C	
Permissible ambient temperature	-20 °C up to +40 °C ¹⁾	
Rated voltage	up to max. 690 V	
Rated current	max. 40 A	
Frequency	50/60 Hz	
Rated making/breaking capacity AC-3 accd. EN 60947-3	U _o 230 V / I _o 40 A U _o 400 V / I _o 40 A U _o 500 V / I _o 40 A U _o 690 V / I _o 32 A	
Back-up fuse	up to 400 V AC: 80 A gL up to 500 V AC: 80 A gL up to 690 V AC: 63 A gL	
Connecting terminals	main contact	2 x 16 mm ²
	auxiliary/signal contact	2 x 4 mm ² (option)
Protection class	I	
Degree of protection accd. to EN 60529	IP66	
Cable glands/enclosure drilling	M25 cable gland see ordering details M40 cable gland see ordering details Option: metal flange with thread	
Weight	3-pole	approx. 2.30 kg
	4-pole	approx. 2.75 kg
	6-pole	approx. 6.50 kg
Enclosure material	glass-fibre reinforced polyester	
Enclosure colour	black	
Auxiliary contact (option)	1 x NO making - lagging; breaking - leading 1 x NC (only 6-pole version) making - leading; breaking - lagging	
Padlocking facility	can be locked in OFF position with 3 commercially available padlocks (Ø max. 6 mm)	

¹⁾ Other ambient temperatures on request



6-pole EMERGENCY STOP

6-pole

3-pole EMERGENCY STOP

3-pole

Ordering details

Content	Cable gland	Auxiliary contact	Order No.
Safety switch 20 A 3-pole			
3-pole	2 x M40 / 1 x M25	1 NO	GHG 263 2301 R0001
3-pole	2 x M40	none	GHG 263 2303 R0001
3-pole EMERGENCY STOP	2 x M40 / 1 x M25	1 NO	GHG 263 2301 R0002
3-pole EMERGENCY STOP	2 x M40	none	GHG 263 2303 R0002
Safety switch 40 A 4-pole			
4-pole	2 x M25	1 NO + 1 NC	GHG 263 2301 R0007
4-pole	2 x M25	none	GHG 263 2303 R0003
Safety switch 40 A 6-pole			
6-pole	4 x M40 / 1 x M25	1 NO + 1 NC	GHG 263 0050 R0001
6-pole	4 x M25	1 NO + 1 NC	GHG 263 0050 R0006
6-pole EMERGENCY STOP	4 x M40 / 1 x M25	1 NO + 1 NC	GHG 263 0050 R0002

Customized version on request, auxiliary contacts in Ex ia available

Accessories

Mounting plate for Ex-safety switches 40 A 3-pole			
Type	Application	Fixing method	Order No.
Size 3	Wall mounting	snap on	GHG 610 1953 R0118
Size 3	Pipe clamp	snap on	GHG 610 1953 R0110
Size 3	Trellis-work mounting	snap on	GHG 610 1953 R0118

Mounting plate for Ex-safety switches 40 A 6-pole			
Type	Application	Fixing method	Order No.
Size 3	2 x pipe clamp	screw-on ¹⁾	GHG 610 1953 R0110

¹⁾ observe mounting distance

Accessories for mounting plates		
Type	OU	Order No.
Label for label holder and mounting plates size 4 and size 5	10	GHG 610 1953 R0011
Blind plug for mounting plate size 4 and size 5 1 set = 1 pcs.	10	GHG 610 1953 R0134
Plug-in fastener for CEAG modules with 5.5 mm and 11 mm mounting feet 1 set = 4 pcs.	10	GHG 610 1953 R0041
Mounting set for pipes 1" (of 27 - 30 mm) for mounting plates with pipe fixing	10	GHG 610 1953 R0020

Canopies			
Type	Application	OU	Order No.
Size 4	for mounting plate size 4	1	GHG 610 1955 R0107

Please pay attention that only order units (OU) according to the ordering details can be delivered.

Ex-safety switches



3-pole



3-pole EMERGENCY STOP



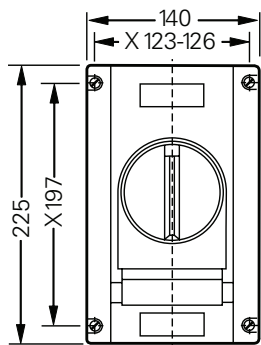
6-pole



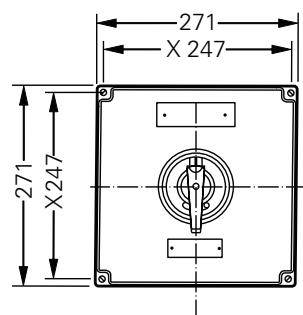
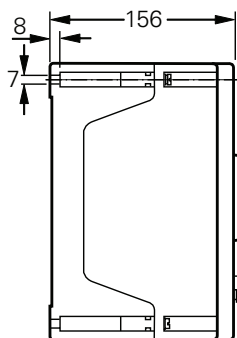
6-pole EMERGENCY STOP

Dimension drawing

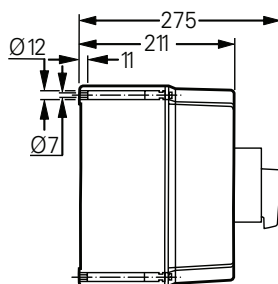
5



3/4-pole



6-pole



X = fixing dimensions