



Ex emergency pull-wire switch Ex ZS 92 S 22 VD F Material number: 1326899

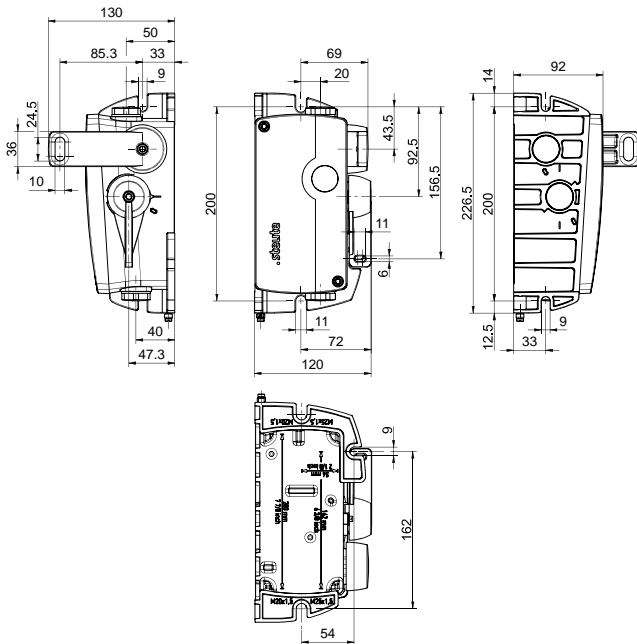
Features/Options:

- Ex zone 1 and 21
- Corrosion-resistant aluminium enclosure
- Screws made of stainless steel
- Wire length up to 2 x 100 m
- Release by lever
- F = Reset lever at the front side
- Back and base mounting possible
- Wire pull and breakage detection

Notes

- At 3 m distance intermediate wire supports are required. Two compensation springs type ZS 90/91/92 S must be installed, see accessories.

Dimensions



Technical data


| | |
|------------------------------|---|
| Applied standards | EN 60947-5-1, EN 60947-5-5, EN ISO 13850, EN ISO 13849-1, EN 60079-0, EN 60079-1, EN 60079-7, EN 60079-31, EN 620-5.7.2.9, AS 1755-2000-2.7.9.1, AS/NZS 4024.3610:2015-2.10.6.2 |
| Enclosure | aluminium, corrosion-resistant, powder-coated, passivated, impact resistant, anthracite grey, similar to RAL 7016 |
| Cover | aluminium, corrosion-resistant, powder-coated, passivated, impact resistant, signal yellow, similar to RAL 1003 |
| Actuating lever | aluminium, corrosion-resistant, powder-coated, passivated, impact resistant, signal red, similar to RAL 3001 |
| Reset lever | aluminium, corrosion-resistant, powder-coated, passivated, impact resistant, sky blue, similar to RAL 5015 |
| Screws | stainless steel |
| Tightening torque | cover screws: max. 2.5 Nm actuator screws: max. 6 Nm |
| Degree of protection | IP 65 (EN 60079-0 + IEC/EN 60529) |
| B _{10d} (10 % load) | 100 000 |
| T _M | max. 20 years |
| Contact material | silver |
| Switching system | snap action, positive break NC contacts \ominus |
| Switching elements | 2 NC/2 NO contacts, type Zb |

Errors and omissions excepted.



Ex emergency pull-wire switch
Ex ZS 92 S 22 VD F
Material number: 1326899

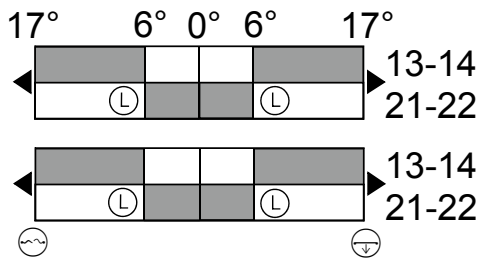
Technical data

| | |
|--|---|
| Connection | screw connection terminals |
| Cable cross-section | min. 0,75 mm ² / AWG 18, max. 2,5 mm ² / AWG 14, incl. conductor ferrules |
| Cable entry | 2 x M25 x 1.5 |
| Rated impulse withstand voltage U _{imp} | 6 kV |
| Rated operating isolation voltage U _i | 250 V |
| Conventional thermal current I _{the} | 2 A / 4 A / 6 A |
| Utilisation category | AC-15 |
| Rated operating current/voltage I _e /U _e | max. 2 A/4 A/6 A / 250 VAC |
| Short-circuit protection | 2 A / 4 A / 6 A gG/gN fuse |
| Mechanical life | > 50 000 operations |
| Max. wire length | 2 x 100 m |
| Ambient temperature | -10 °C ... +55 °C max. 2 A, -10 °C ... +50 °C max. 4 A, -10 °C ... +45 °C max. 6 A |
| Degree of pollution | 3 |
| Actuating force | actuating lever approx. 30 N; reset lever approx. 40 N |
| Ex marking | ⊕ II 2G Ex db eb IIC T6 Gb, ⊕ II 2D Ex tb IIIC T80 °C Db IECEX Ex db eb IIC T6 Gb, Ex tb IIIC T80 °C Db |
| Approvals | BVS 19 ATEX E 076 IECEX BVS 19.0074  |
| Weight | 1900 g |



Ex emergency pull-wire switch
Ex ZS 92 S 22 VD F
Material number: 1326899

Switching diagram



Contact diagram

