



## Ex Wireless position switch Ex RF 96 DS SW868 Material number: 1211178

### Features/Options:

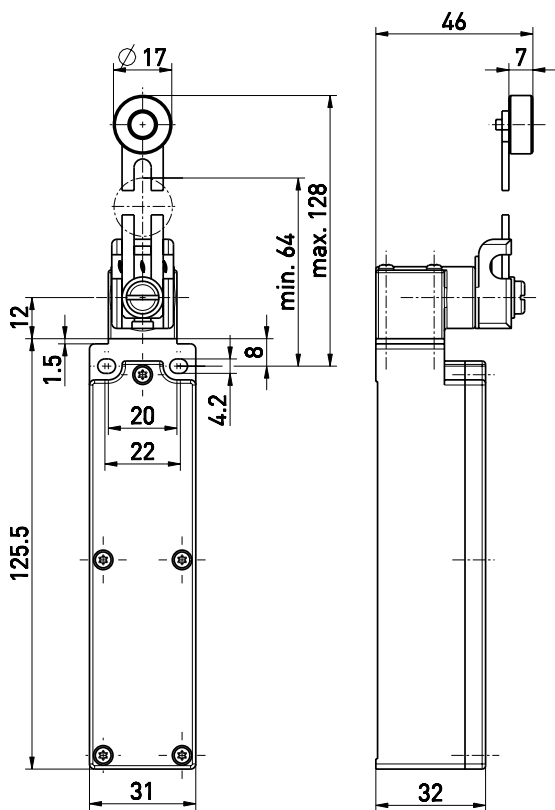
- Ex zone 1 and 21
- sWave® wireless technology
- Power supply by ex-proof lithium battery (exchange inside Ex areas possible)
- Thermoplastic enclosure
- Mounting details to EN 50047
- No wiring and pipe laying required
- Easy programming of receiver

- Output signal can be individually configured at the receiver
- Actuator: Adjustable rocking lever DS
- Lever angle adjustable in 10° steps
- Position of roller can be adjusted
- Wear-resistant plastic roller
- Actuator can be repositioned by 4 x 90°

### Notes

- With metal roller available on request

### Dimensions



### Technical data

|                      |   |
|----------------------|---|
| Applied standards    | EN 60947-5-1, EN 61000-6-2, EN 61000-6-3, EN 301 489-1, EN 301 489-3, EN 300 220-1, EN 300 220-2, EN 60079-0, EN 60079-11                   |
| Enclosure            | thermoplastic, glass-fibre reinforced, impact resistant, self-extinguishing UL 94 V-0   |
| Tightening torque    | M4 enclosure mounting screws: max 1.2 Nm<br>M2.5 cover screws: approx. 0.45 Nm  |
| Degree of protection | IP 20 to IEC/EN 60079-11, IP 67 to IEC/EN 60529   |
| Protocol             | sWave®  |
| Frequency            | 868.3 MHz (Europe, China)   |
| Transmission power   | < 25 mW   |
| Data rate            | 66 kbps   |
| Channel bandwidth    | 480 kHz   |
| Voltage supply       | Ex approved and certified batteries, manufacturer steute, Ex RF Bat 3,6 V/2,1 Ah, mat. no. 1381655, BVS 18 ATEX E 035 X, IECEx BVS 18.0056X |
| System               | Li/SOCl <sub>2</sub>  |
| Nominal voltage      | 3.6 V   |
| Nominal capacity     | 2.1 Ah with integrated protective circuit   |

Errors and omissions excepted.



Ex Wireless position switch  
Ex RF 96 DS SW868  
Material number: 1211178

## Technical data

|                     |   |
|---------------------|---|
| Battery life        | depending on the switching frequency<br>1 s approx. 800 days,<br>10 s approx. 1500 days,<br>100 s approx. 1700 days   |
| Switching system    | micro switch  |
| Ambient temperature | -20 °C ... +60 °C   |
| Operation cycles    | max. 12000 telegrams with repetitions/h   |
| Wireless range      | max. 450 m outdoors,<br>max. 40 m indoors   |
| Actuating time      | min. 80 ms  |
| Mechanical life     | > 1 million operations  |
| Note                | status signal adjustable via jumper, no, 10 s, 100 s, 1000 s, 10000 s<br>delivery state: jumper position without status signal, transmission of battery voltage and switching condition |
| Ex marking          | ⊕ II 2G Ex ib IIC T4 Gb,<br>⊕ II 2D Ex ib IIIC T135 °C Db<br>IECEX Ex ib IIC T4 Gb,<br>Ex ib IIIC T135 °C Db  |
| Approvals           | BVS 19 ATEX E 009 X<br>IECEX BVS 19.0040X   |
| Wireless approvals  | Europe: RED 2014/53/EU  |