



Ex Wireless position switch

Ex RF 95 W EN868

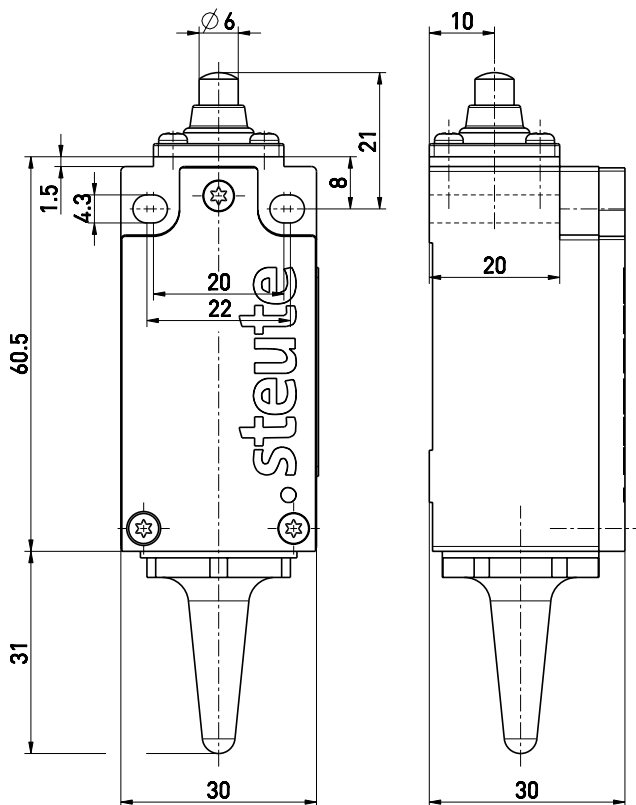
Material number: 1181618 (Material number old: 95902301)

Features/Options:

- Ex zone 1 and 21
- Thermoplastic enclosure
- Horizontally slotted mounting holes
- Design to EN 50047
- Output signal can be individually configured at the receiver
- EnOcean® wireless technology

- No power supply, no wiring and pipe laying required
- Multi-network capable
- Easy programming of receiver
- Actuator: Plunger with collar W
- Actuator type B to EN 50047
- Watertight collar for protection against penetration of dirt

Dimensions



Technical data

Applied standards	EN 60947-5-1, EN 61000-6-1, EN 61000-6-2, EN 61000-6-3, EN 61000-6-4, EN 301 489-1, EN 301 489-3, EN 300 220-1, EN 300 220-2, EN 60079-0, EN 60079-11
Enclosure	thermoplastic, glass-fibre reinforced, impact resistant, self-extinguishing UL 94 V-0
Cover	thermoplastic, glass-fibre reinforced, impact resistant, self-extinguishing UL 94 V-0
Tightening torque	enclosure mounting screws: 1.2 ... 1.3 Nm cover screws: 0.5 ... 0.6 Nm
Degree of protection	IP 67 to IEC/EN 60529
Protocol	EnOcean®
Frequency	868.3 MHz (Europe)
Transmission power	< 25 mW
Data rate	120 kbps
Channel bandwidth	530 kHz
Voltage supply	electrodynamic energy generator
Ambient temperature	-20 °C ... +60 °C
Operation cycles	approx. 9000 telegrams with repetitions/h
Wireless range	max. 300 m outdoors, max. 30 m indoors
Mechanical life	> 1 million operations
Actuating time	min. 80 ms
Impact energy	max. 7 J
Note	no status signal available

Errors and omissions excepted.



Ex Wireless position switch

Ex RF 95 W EN868

Material number: 1181618 (Material number old: 95902301)

Technical data

Ex marking	II 2G Ex ib IIC T6 Gb II 2D Ex ib IIIC T80 °C Db IECEX Ex ib IIC T6 Gb Ex ib IIIC T80 °C Db
Approvals	BVS 08 ATEX E 111 IECEX BVS 08.0048
Weight	66 g

Switching diagram

