

Ex Signalling Hooter dGH21/dRGH21

Modular design with GRP housing for applications
in explosive areas of zones 1, 2, 21 and 22



Overview

The dGH21/dRGH21 Signalling Hooter was designed for warning, calling and indicating purposes in potentially explosive areas of group II and for rough ambient conditions. The signalling hooter produces a sound level of approx. 105 dB(A) at 1 meter distance. The characteristic hooting sound clearly stands out from any ambient sound of higher frequency.

The hooter is available for all common supply voltages. The dRGH21 version comprises a call current relay and issues the signals in the pulse rate of the incoming telephone call.

The explosion protection is realized by use of a pressure-resistant installation compartment and a terminal compartment of protection type "increased safety". The pressure-resistant compartment contains the electromagnetic drive system and, in case of the dRGH21 version also the call current relay.

The hooter membrane together with the sound conductor is located outside the pressure resistant compartment under a sealing cover.

The housing is made of synthetic material, which ensures a corrosion-free operation and the classification in protection class II. Therefore, no equipotential bonding conductor is needed. The housing design provides a high degree of sturdiness with a light weight.

All DC variants are equipped with an electronic disconnecter, which ensures a significantly longer life cycle compared to conventional solutions.

Features

- Housing made of GRP
- Volume approx. 105 dB(A)
- dRGH21 version with call current relay
- Protection type: II 2 G Ex de IIC T5, T6 Gb
II 2 D Ex tb IIIC T95°C/T80°C Db
- Ingress protection IP 66
- Protection class II
- Terminal compartment "increased safety"

EATON*Powering Business Worldwide*

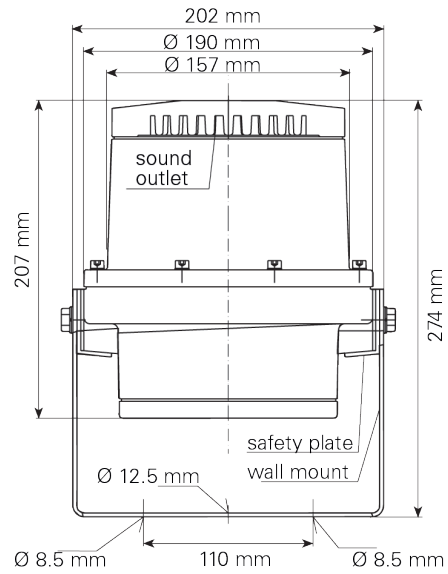
Certification

Protection type	II 2 G Ex de IICT5/T6 Gb II 2 D Ex tb IIIC T95°C/T80°C Db
-----------------	--

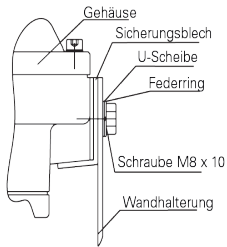
Specifications

Housing	Glass fibre-reinforced polyester	
Colour	Black or red	
Volume	Approx. 105 dB (A), in 1 m distance	
Ingress protection	IP 66 according to IEC 60529	
Protection class	II (no equipotential bonding necessary)	
Cable glands	1 x M20 x 1.5 cable gland and 1 blind plug M20 x 1.5 dRGH21: 2 x M20 x 1.5 cable glands	
Connection terminals	Terminal capacity: 2,5 mm ² single-wire 1,5 mm ² fine-wire	
Operating conditions	Indoors and outdoors	
Operating position	Preferably sound exit to the front	
Operating mode	Continuous operation	
Temperature range		
Operation	-20 °C to +70 °C (T6)	-20 °C to +75 °C (T5)
Storage	-20 °C to +80 °C	
Weight	5.5 kg	

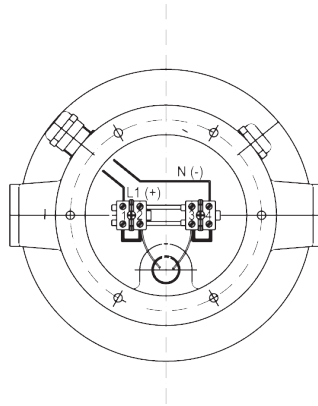
General arrangement drawing (all dimensions in mm)



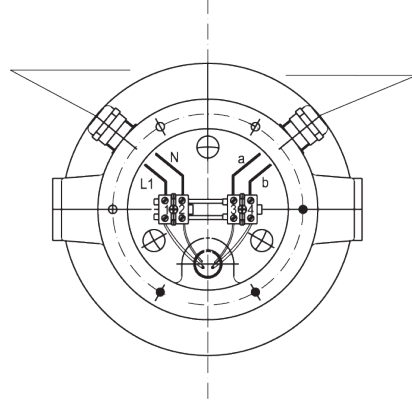
Wall mount installation



Connection diagram dGH21



Connection diagram dRGH21



Ordering data

Type	Designation	Colour	Input voltage	Tolerance	Current consumption	Art. No.
dGH 21	Ex Signalling Hooter	black	12 VDC	+10 %/-15 %	0.6 A	FHF 920 122 10
dGH 21	Ex Signalling Hooter	black	24 VAC	+10 %/-15 %	0.65 A	FHF 920 241 10
dGH 21	Ex Signalling Hooter	black	24 VDC	+10 %/-15 %	0.3 A	FHF 920 242 10
dGH 21	Ex Signalling Hooter	black	110 VDC	+10 %/-15 %	0.08 A	FHF 921 102 10
dGH 21	Ex Signalling Hooter	black	120 VAC, 60 Hz	+10 %/-15 %	0.15 A	FHF 921 201 10
dGH 21	Ex Signalling Hooter	black	230 VAC	+10 %/-15 %	0.07 A	FHF 922 301 10
dRGH 21	Ex Signalling Hooter	black	230 VAC, with call current relay	+10 %/-15 %	0.07 A	FHF 922 301 10 00
dGH 21	Ex Signalling Hooter	black	240 VAC, 60 Hz	+10 %/-15 %	0.07 A	FHF 922 401 10 60
dGH 21	Ex Signalling Hooter	red	12 VDC	+10 %/-15 %	0.6 A	FHF 920 122 10 13
dGH 21	Ex Signalling Hooter	red	24 VAC	+10 %/-15 %	0.65 A	FHF 920 241 10 13
dGH 21	Ex Signalling Hooter	red	24 VDC	+10 %/-15 %	0.3 A	FHF 920 242 10 13
dGH 21	Ex Signalling Hooter	red	110 VDC	+10 %/-15 %	0.08 A	FHF 921 102 10 13
dGH 21	Ex Signalling Hooter	red	120 VAC, 60 Hz	+10 %/-15 %	0.15 A	FHF 921 201 10 13
dGH 21	Ex Signalling Hooter	red	230 VAC	+10 %/-15 %	0.07 A	FHF 921 301 10 13
dRGH 21	Ex Signalling Hooter	red	230 VAC, with call current relay	+10 %/-15 %	0.07 A	FHF 921 201 10 10
dGH 21	Ex Signalling Hooter	red	240 VAC, 60 Hz	+10 %/-15 %	0.07 A	FHF 921 401 10 13
dGH 21	Ex Signalling Hooter	black	42 VAC	+10 %/-15 %	0.3 A	FHF 920 421 10
dGH 21	Ex Signalling Hooter	black	48 VAC	+10 %/-15 %	0.35 A	FHF 920 481 10
dGH 21	Ex Signalling Hooter	black	48 VDC	+10 %/-15 %	0.17 A	FHF 920 482 10
dGH 21	Ex Signalling Hooter	black	60 VDC	+10 %/-15 %	0.15 A	FHF 920 602 10
dGH 21	Ex Signalling Hooter	black	110 VAC	+10 %/-15 %	0.15 A	FHF 921 101 10
dGH 21	Ex Signalling Hooter	black	230 VDC	+10 %/-15 %	0.005 A	FHF 922 202 10

All models are ATEX variants. EAC and UL variants are available on request.