

X10 mini sounder beacon

Weatherproof



Overview

The X10 Mini sounder beacon is an industrial signaling alarm, available in 4 fade resistant body colours, 6 LED beacon colours, and high and low voltage variants. It is certified to IP66 and IP69K, and verified to operate at extreme temperatures -40°C to 70°C, and is therefore suitable for use in harsh conditions where a robust industrial sounder beacon is required. The X10 Mini sounder beacon comes with an Eaton 10 year Extended Warranty and offers up to 100 dB(A) with 102 tones, and a versatile 4 stage alarm to allow you to retrofit to an existing installation.

Features

- 100dB(A) sound output
- IK08 impact resist and dual IP rated to IP66 and IP69K
- 10 year warranty**
- 102 tones facilitates both new installations and retrofits, accommodating a wide range of Industry requirements
- 6 lens colours available, secured by 1 single ¼ turn captive fastener
- 4 fade resistant housing colours available
- Up to 4 stage alarm, with multiple alert and control possibilities for both AC and DC variants
- Modular LED beacon capable of multiple functionality on / off; 1/2Hz (30FPM) / 1Hz (60FPM)
- Temperature range -40°C to +70°C
- Captive salt water resistant stainless steel fasteners
- M20 pre drilled threaded cable entries fitted with IP69K blanking plugs as standard
- UV stabilised polycarbonate ASA
- Low inrush current with a range of dB(A) outputs

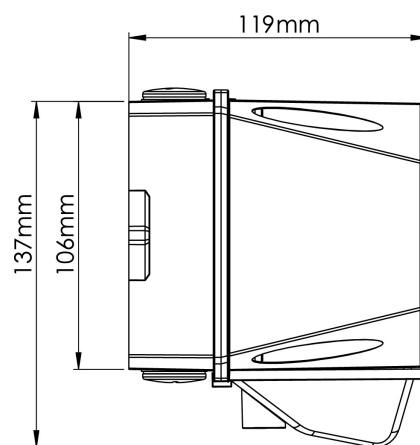
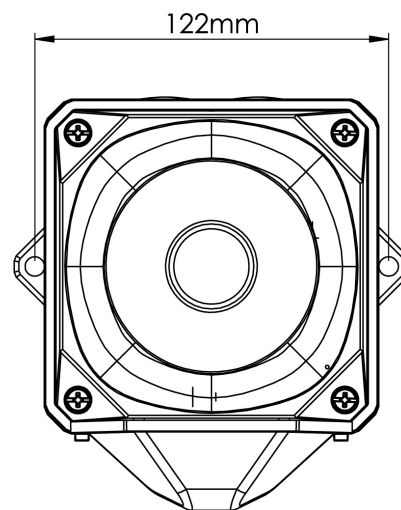
* Supply current range is based on variation of the supply voltage. A change in tone or volume settings will also impact the supply current.

** Terms and Conditions apply

Specifications







	Low voltage DC / AC product		AC Mains product	
Rated voltage	10V - 60V DC	10V - 30V AC	115V AC	230V AC
Sounder only* (DIN Tone, High Vol)	20 - 35 mA	50 - 85 mA	65 mA	32 mA
AV* (DIN Tone, High Vol, 1Hz Flash)	35 - 130 mA	85 - 235 mA	67 mA	33 mA
Sound output	100dB			
Alarm tones	102			
Alarm stages	4			
Stage control options	+ve low voltage trigger -ve low voltage trigger +ve supply voltage trigger -ve supply voltage trigger Reverse polarity trigger		Dry /0 volt contact trigger	
Flash rate	0.5Hz (30FPM) / 1Hz (60FPM) / Continuous / Off			
Operating temperature	-40°C to +70°C			
Ingress Protection (IP) rating	IP66 and IP69K (dust ingress/high pressure water jets)			
Warranty	10 years**			
Material	UV stabilised polycarbonate ASA			
Colour - housing	Red Dark grey (light grey and white available on request)			
Colour - beacon	Red Magenta Amber Clear Blue Green			
Cable entry	Top: 2 x M20 threaded cable entries Bottom: 1 x M20 threaded cable entry			
Connecting terminals	up to 2.5mm ²			
Weight	0.765kg (AC Mains); 0.480kg (Low voltage DC / AC)			

General arrangement drawing (all dimensions in mm)



X10 Modular lenses

Lens colours

	RL = Red lens
	AL = Amber lens
	BL = Blue lens
	GL = Green lens
	CL = Clear lens
	ML = Magenta lens

Ordering requirements

Part number	Size	Body	Beacon part	Voltage	
FHF22531322	Mini	Red body	Red lens	10-60 VAC-DC	Low voltage
FHF22531323	Mini	Red body	Amber lens	10-60 VAC-DC	Low voltage
FHF22531325	Mini	Red body	Blue lens	10-60 VAC-DC	Low voltage
FHF22531324	Mini	Red body	Green lens	10-60 VAC-DC	Low voltage
FHF22531321	Mini	Red body	Clear lens	10-60 VAC-DC	Low voltage
FHF22531327	Mini	Red body	Magenta lens	10-60 VAC-DC	Low voltage
FHF22530722	Mini	Red Body	Red Lens	115/230 VAC	High voltage
FHF22530723	Mini	Red Body	Amber Lens	115/230 VAC	High voltage
FHF22530725	Mini	Red Body	Blue Lens	115/230 VAC	High voltage
FHF22530724	Mini	Red Body	Green Lens	115/230 VAC	High voltage
FHF22530721	Mini	Red Body	Clear Lens	115/230 VAC	High voltage
FHF22530727	Mini	Red Body	Magenta Lens	115/230 VAC	High voltage
FHF22531382	Mini	Dark Grey Body	Red Lens	10-60 VAC-DC	Low voltage
FHF22531383	Mini	Dark Grey Body	Amber Lens	10-60 VAC-DC	Low voltage
FHF22531385	Mini	Dark Grey Body	Blue Lens	10-60 VAC-DC	Low voltage
FHF22531384	Mini	Dark Grey Body	Green Lens	10-60 VAC-DC	Low voltage
FHF22531381	Mini	Dark Grey Body	Clear Lens	10-60 VAC-DC	Low voltage
FHF22531387	Mini	Dark Grey Body	Magenta Lens	10-60 VAC-DC	Low voltage
FHF22530782	Mini	Dark Grey Body	Red Lens	115/230 VAC	High voltage
FHF22530783	Mini	Dark Grey Body	Amber Lens	115/230 VAC	High voltage
FHF22530785	Mini	Dark Grey Body	Blue Lens	115/230 VAC	High voltage
FHF22530784	Mini	Dark Grey Body	Green Lens	115/230 VAC	High voltage
FHF22530781	Mini	Dark Grey Body	Clear Lens	115/230 VAC	High voltage
FHF22530787	Mini	Dark Grey Body	Magenta Lens	115/230 VAC	High voltage