



Emergency pull-wire switch Extreme ZS 92 S 22 VD F1 KST -40°C+70°C IP66/67 Extreme Material no.: 1493781

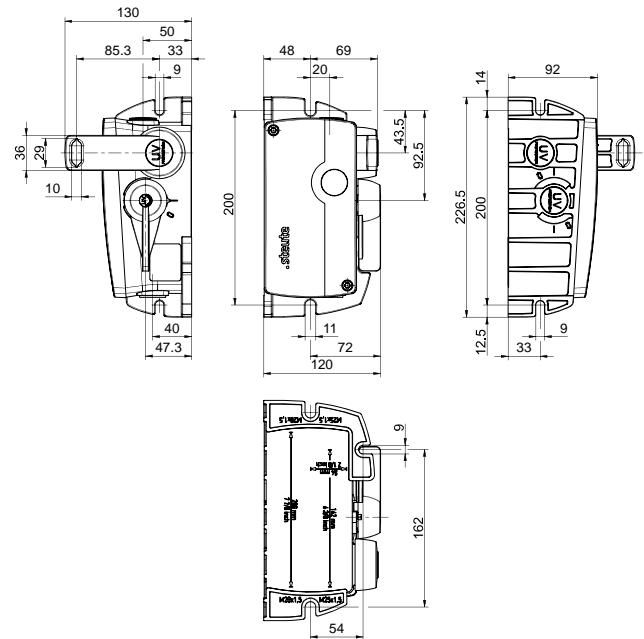
Product features

- Temperature resistant from -40 °C to +70 °C
- High degree of protection IP66 / IP67
- Thermoset enclosure
- Screws made of stainless steel
- Wire length up to 2 x 100 m
- Release by lever
- F1 = blue reset lever on front side (left)
- Back and base mounting possible
- Wire pull and breakage detection

Notes

- At 3 m distance intermediate wire supports are required. Two compensation springs type ZS 90/91/92 S must be installed, see accessories.

Dimensions



Technical data

Applied standards

EN 60947-5-1, EN 60947-5-5, EN ISO 13850, EN ISO 13849-1, EN 620:2011-5.7.2.9, AS 1755-2000-2.7.9.1, AS/NZS 4024.3610:2015-2.10.6.2

Enclosure

thermoset, grey, similar to RAL 7035

Cover

thermoset, enamel finish, yellow, similar to RAL 1012

Actuating lever

thermoset, signal red, similar to RAL 3001

Reset lever

thermoset, sky blue, similar to RAL 5015

Screws

stainless steel

Tightening torque

cover screws: max. 2.5 Nm

Degree of protection

IP66/IP67 (IEC/EN 60529)

B_{10d} (10 % load)

100 000

T_M

max. 20 years

Safety class

II

Switching elements

2 NC/2 NO contacts, type Zb

Switching system

snap action, positive break NC contacts ⊖

Connection

screw connection terminals

Cable cross-section

0.34 ... 2.5 mm² (incl. conductor ferrules)

Cable entry

2 x M25 x 1.5

Rated impulse withstand voltage U_{imp}

6 kV

Rated insulation voltage U_i

500 V

Conventional thermal current I_{the}

10 A

Utilisation category

AC-15; DC-13

Errors and omissions excepted.



Emergency pull-wire switch Extreme ZS 92 S 22 VD F1 KST -40°C+70°C IP66/67 Extreme Material no.: 1493781

Technical data (contd.)

Rated operating current/voltage I_e/U_e
AC-15: 24 V-10 A/120 V-6 A/400 V-4 A
DC-13: 24 V-6A/125 V-0.55 A/250 V-0.4 A
Minimum electrical load: 5 V/10 mA
Si-Bus: 4 A/250 VAC

Conditional short-circuit current
1000 A

Short-circuit protection
10 A gG/gL fuse

Mechanical life
> 50 000 operations

Max. wire length
2 x 100 m

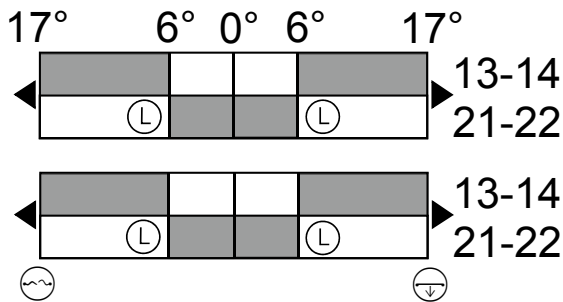
Ambient temperature
-40 °C ... +70 °C

Degree of pollution
3

Actuating force
actuating lever approx. 30 N; reset lever approx. 40 N

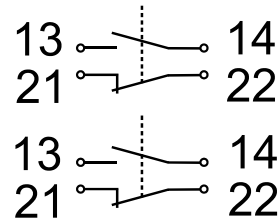
Approvals

Switching diagram

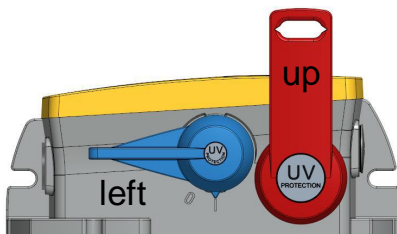


- Ⓛ Latching point
- Ⓜ Wire breakage detection
- Ⓢ Wire pull detection

Contact diagram



Type F1



Errors and omissions excepted.