

Rope Supported LED Light Fitting Series 59 ...



Applications:

Residential and service roads, by-roads and main roads etc.

Design:

Housing: Die-cast aluminium, 2-parts, powder coated in DB 702 (mica-iron paint, grey). **Lower section** with LED-Module, optics, glass cover and ECG, tool-free hingeable and detachable. **Upper section** with bracket, adjustment of inclination, cable entry with pressure compensation system.

Glass cover: Flat safety glass, impact resistance IK10.

Light distribution: Symmetrical wide beam.

Connecting terminal: With plug-in connection in junction box tool-free separation of upper and lower section.

Mounting: Stainless steel. Turnable (all directions) and adjustable by 15°, mountable on ropes of 6 - 12mm diameter.

Electrical design:

LED module: Zhaga compliant, 4,000K, $R_a > 70$, lifetime $L_{90} > 100,000h$

ECG: 220-240V, 50-60Hz, Surge voltage resistance 10kV, overload and short circuit protection.

Light control:

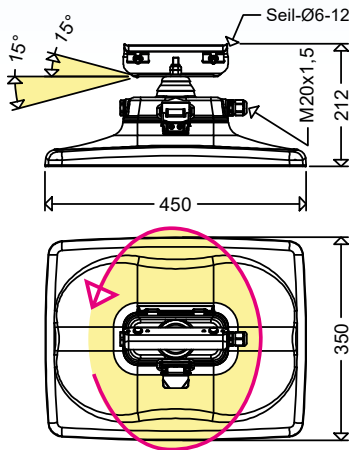
On request, the luminaires are also available with the following configurations:

Output reduction with control phase (LR): For reducing the luminous flux to 50% at times of low traffic density. Control phase (LST) required. Switching via control phase (LST = 230V: 100%; LST = 0V: 50%). Alternative dimming levels possible.

Output reduction without control phase (LA): Autarkic dimming. Reduced operation 50% between 22:00 and 4:00h CET or 23:00 and 5:00h CEST, also available with deviating times and with alternative dimming steps.

Digital dimming with DALI interface (DIMD)

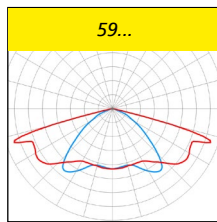
Constant luminous flux function (CL): Luminous flux is kept on a constant level over the entire lifetime of the LED-modules.



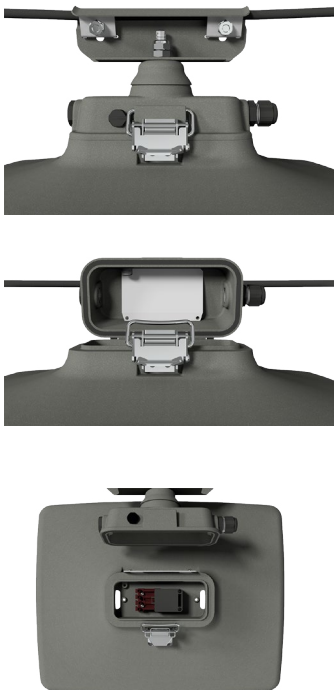
Options:

- 3,000K, light colour 730 (6% lower luminous flux)
- 2,200K, light colour 722 (20% lower luminous flux)
- 1,800K, light colour 518 „Amber“ (35% lower luminous flux)
- protection class II (SKII), with additional ESD protection

- seawater-resistant version (SWP)
- additional overvoltage protection (OP)
- Light Management System (LIMAS) in protection class I (SKI)
- 3-point supporting bracket (3P)
- special painting in RAL colours (SL)



Outstanding mounting advantage



Product highlights:

- ECG with surge voltage resistance, reliable due to overload and short circuit protection
- optimized thermal management due to direct adaption of the LED-modules to the die-cast aluminium housing, large cooling surface, excellent heat dissipation
- long-lasting, corrosion resistant die-cast aluminium housing with plain surface. Deposit of greenery and dirt is not possible
- integrated pressure compensation system prevents condensation in the interior
- time- and cost-saving mounting in 2 steps due to tool-free removable lower part of the housing:
 - **1st step:** Hinge upper part with bracket onto the rope and connect the mains
 - **2nd step:** Hinge lower part, connect isolating plug, shut the housing and close. **READY**
- universal usage on cross- and longitudinal ropes, inclined ropes or 3-point rope supports (see accessories) due to all-side rotatable and up to 15° inclinable stainless steel bracket
- tool-free disconnection (also electrical!) of the lower part from the upper part allows a comfortable replacement of the components at site or in the workshop, extensive dismantling of the fitting or uncomfortable "over-head working" is not necessary
- efficient and optimal light distribution due to highly efficient lens optics
- homogeneous illumination due to the Multi-Layer technology i.e. every individual LED illuminates the whole surface, the light curves of the individual LEDs are overlapping. No dark zones in the road if any single LED would fail and the uniformity of the illumination is kept.
- eco-friendly, no light emission into the upper half-space. „Dark-Sky“ requirements are fulfilled
- sustainable, components interchangeable
- future proof by using standardized LED-modules (Zhaga)

! Properties, limitations and details for controlling LED-light fittings:
 ■ See "Technical Supplement"

All data are correct at the time of printing. Actual technical data can be found under www.schuch.de.

| Article no. | Type | Power consumption WJ (CL: start of operating life) | Power consumption WJ (end of operating life) | Luminous flux [lm] | Luminous efficacy [lm/W] | Weight [kg] (without packing material) |
|-------------|------|---|---|--------------------|--------------------------|---|
|-------------|------|---|---|--------------------|--------------------------|---|

59...



| | | | | | | |
|------------|-------------------|----|----|--------|-----|-----|
| 59001 0021 | 59 1601 | 17 | | 2.900 | 171 | 6,6 |
| 59001 0022 | 59 1602 | 25 | | 3.940 | 158 | 6,6 |
| 59001 0023 | 59 1603 | 35 | | 5.340 | 153 | 6,6 |
| 59001 0001 | 59 3201 | 34 | | 5.580 | 164 | 7,0 |
| 59001 0002 | 59 3202 | 50 | | 7.570 | 151 | 7,0 |
| 59001 0003 | 59 3203 | 70 | | 10.230 | 146 | 7,0 |
| 59001 0024 | 59 1601 CL | 15 | 17 | 2.610 | 174 | 6,6 |
| 59001 0025 | 59 1602 CL | 23 | 25 | 3.550 | 154 | 6,6 |
| 59001 0026 | 59 1603 CL | 32 | 35 | 4.810 | 150 | 6,6 |
| 59001 0004 | 59 3201 CL | 31 | 34 | 5.020 | 162 | 7,0 |
| 59001 0005 | 59 3202 CL | 45 | 50 | 6.810 | 151 | 7,0 |
| 59001 0006 | 59 3203 CL | 63 | 70 | 9.210 | 146 | 7,0 |

! Also available with output reduction (LR / LA) as well as combinations of these functions (CL LR / CL LA).



Outdoor
Light Fittings

Optionally also with 3-point mounting (3P)



Accessories / Spare Parts

| Article no. | Type | |
|-------------|---------------|-------------------|
| 49001 9003 | 59/010 | flat safety glass |