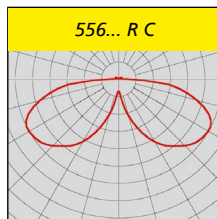
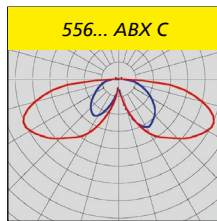
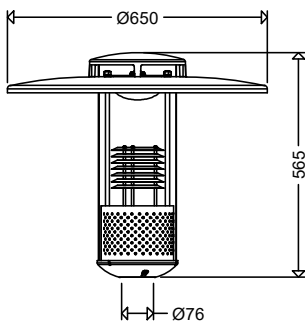




Picture: Special paint colour RAL 9005



without frosted cover



without louver stack  
(C OR)



without frosted cover/louver  
stack (OR)

## CUPINA LED Pole-Top Light Fitting Series 556... C

### Applications:

#### 556... ABX:

Residential areas, residential and side streets, low traffic areas, footpaths and cycle tracks etc.

#### 556... R:

Promenades, public parks, pedestrian areas etc.

### Design :

**Roof and supporting section:** Aluminium, powder-coated DB 702 (mica-iron paint, grey).

**Cover:** PMMA, clear, cylindrical.

**Electrical kit:** Wired ready for installation,

plug-type device to the mains connection terminal, cable retainer for connection cable, with LED module, frosted cover, heat sink and ECG.

**Light distribution:** Asymmetrical extremely wide beam (ABX) or circular beam (R).

Optics and anodized pure aluminium louver stack, frosted cover for glare limitation.

**Mounting system:** 3 non-corrosive steel locking screws serve for fixation on straight poles Ø 76 mm. + (RZ 1) for pole end Ø of 60 mm (see accessories / spare parts).

### Electrical design:

**LED module:** Zhaga compliant, 4,000K,  $R_a > 70$ , lifetime  $L_{90} > 100,000$ h

**ECG:** 220-240V, 50-60Hz, Surge voltage resistance 10kV, overload and short circuit protection.

### Light control:

On request, the luminaires are also available with the following configurations:

**Output reduction with control phase (LR):** For reducing the luminous flux to 50% at times of low traffic density. Control phase (LST) required. Switching via control phase (LST = 230V: 100%; LST = 0V: 50%). Alternative dimming levels possible.

**Output reduction without control phase (LA):** Autarkic dimming. Reduced operation 50% between 22:00 and 4:00h CET or 23:00 and 5:00h CEST, also available with deviating times and with alternative dimming steps.

**Digital dimming with DALI interface (DIMD)**

**Constant luminous flux function (CL):** Luminous flux is kept on a constant level over the entire lifetime of the LED-modules.

### Options:

– 3,000K, light colour 730 (6% lower luminous flux)

– 2,200K, light colour 722 (20% lower luminous flux)

– 1,800K, light colour 518 „Amber“ (35% lower luminous flux)

– protection class I (SKI)

– without frosted cover (appr. 10% higher luminous flux)

– without louver stack (OR)

– satined cover with shielding on the building side

– for connection to group or central battery systems (ZB) or emergency mains respectively

– seawater-resistant system (SWP)

– Light Management System (LIMAS) in protection class I (SKI)

– Ready for Light Management Systems (RFL) only in combination with (OR)

– special painting in RAL colours (SL)

### Product highlights:

- ECG with high surge voltage resistance, reliable due to overload and short circuit protection
- optimal light distribution due to direct beam LED with highly efficient optics
- excellent glare limitation due to frosted cover of the LED module
- homogeneous illumination due to Multi-Layer technology i.e. every individual LED illuminates the total area, the light curves of the individual LEDs are overlapping. Any failure of a particular single LED will not create any dark zones in the road. The uniformity of the illumination is kept
- quick maintenance and change of components due to an easily interchangeable gear-tray system (modular concept)
- sustainable, components interchangeable
- future proof by using standardized LED-modules (Zhaga)

! Properties, limitations and details for controlling LED-light fittings:

■ See "Technical Supplement"

All data are correct at the time of printing. Actual technical data can be found under [www.schuch.de](http://www.schuch.de).

Article no.	Type	Power consumption WJ (CL: start of operating life)	Power consumption WJ (end of operating life)	Luminous flux [lm]	Luminous efficacy [lm/W]	Weight [kg] (without packing material)
-------------	------	---	---	--------------------	--------------------------	---

## 556... C



### asymmetrical extremely wide beam

11556 0060	556 0801ABX C	9		1.150	128	6,7
11556 0061	556 0802ABX C	13		1.560	120	6,7
11556 0062	556 0803ABX C	18		2.100	117	6,7
11556 0063	556 1601ABX C	17		2.300	135	6,8
11556 0064	556 1602ABX C	25		3.070	123	6,8
11556 0107	556 1603ABX C	35		4.100	117	6,8
11556 0066	556 0801ABX C CL	8	9	1.040	130	6,7
11556 0067	556 0802ABX C CL	12	13	1.400	117	6,7
11556 0068	556 0803ABX C CL	16	18	1.890	118	6,7
11556 0069	556 1601ABX C CL	15	17	2.070	138	6,8
11556 0070	556 1602ABX C CL	23	25	2.760	120	6,8
11556 0108	556 1603ABX C CL	32	35	3.690	115	6,8

### symmetrical circular beam

11556 0078	556 0801R C	9		1.150	128	6,7
11556 0079	556 0802R C	13		1.560	120	6,7
11556 0080	556 0803R C	18		2.100	117	6,7
11556 0081	556 1601R C	17		2.300	135	6,8
11556 0082	556 1602R C	25		3.070	123	6,8
11556 0083	556 1603R C	35		4.100	117	6,8
11556 0084	556 0801R C CL	8	9	1.040	130	6,7
11556 0085	556 0802R C CL	12	13	1.400	117	6,7
11556 0086	556 0803R C CL	16	18	1.890	118	6,7
11556 0087	556 1601R C CL	15	17	2.070	138	6,8
11556 0088	556 1602R C CL	23	25	2.760	120	6,8
11556 0109	556 1603R C CL	32	35	3.690	115	6,8

! Also available with output reduction (LR / LA) as well as combinations of these functions (CL LR / CL LA).



## Accessories / Spare Parts

Article no.	Type	
10051 9000	10051	clear PMMA glass cover, cylindrical.
10041 9001	10041 C	frosted cover for glare limitation
90113 0002	HA 08	backside light shielding for 556 08.. C
90113 0003	HA 16	backside light shielding for 556 16.. C
90116 9003	RS LED	louver stack, aluminium, LED design for series 543/553/556...
90126 0001	RZ 1 RAL9005	adapter for pole-top Ø 60mm