

# Signalling Hooter HPW 11

Universal sounder for dry and damp rooms



## Overview

The HPW 11 Signalling Hooter is a sounder used for warning and calling purposes. Its robust housing allows for applications in dry and damp rooms and even outdoors. The model equipped with a telephone call relay is suitable as an additional, high-volume acoustic device for telephones.

The device is driven by a powerful, non-polarized electromagnet with an adjustable tappet that hits the membrane 100 to 120 times per second.

The signalling hooter housing is made of impact-resistant thermoplastic.

The hooter is supplied over a M20 self-sealing grommet for line diameters of 8-12 mm; the hooter with call tone relay comprises two of these grommets.

## Features

- Also suitable for outdoor applications
- Ingress protection IP 55
- Volume: approx. 108 dB(A) in 1 m distance

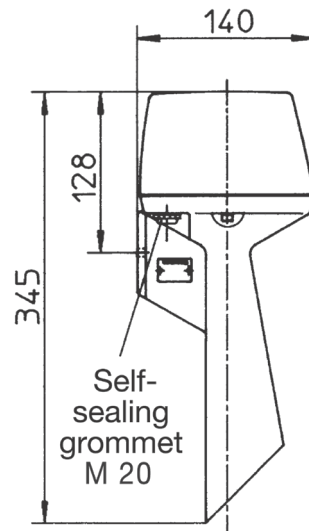
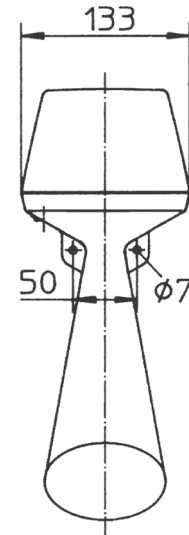


*Powering Business Worldwide*

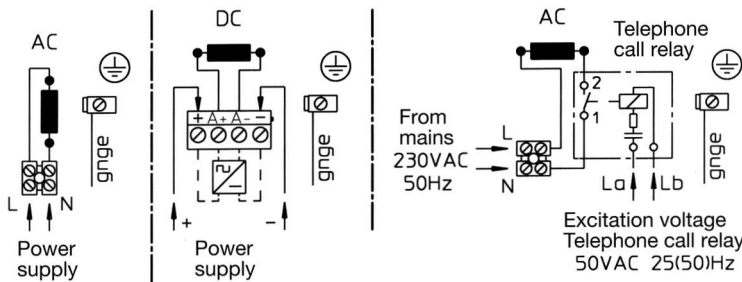
## Specifications

Housing	Thermoplastic (ABS), impact-resistant
Colour	Grey
Ingress protection	IP 55 according to IEC 60529
Protection class	II
Cable glands	Self-sealing grommet M20 for line diameters of 8-12 mm
Connection terminals	Terminal capacity: 1.5 mm <sup>2</sup>
Volume	Approx. 108 dB(A), in 1 m distance
Operating conditions	Indoors and outdoors
Operating position	Sound outlet facing downward
Operating mode	Continuous operation
Temperature range	
Operation	-20 °C to +60 °C
Storage	-30 °C to +80 °C
Weight	1,1 kg

## General arrangement drawing (all dimensions in mm)



## Connection diagram



## Ordering data

Type	Designation	Nominal voltage	Tolerance	Nominal current	Art. No.
HPW 11	Signalling Hooter	6 VAC, 50 Hz	+10/-15 %	3.4 A	FHF 212 251 01
HPW 11	Signalling Hooter	12 VAC, 50 Hz	+10/-15 %	1.2 A	FHF 212 251 02
HPW 11	Signalling Hooter	24 VAC, 50 Hz	+10/-15 %	0.65 A	FHF 212 251 03
HPW 11	Signalling Hooter	42 VAC, 50 Hz	+10/-15 %	0.3 A	FHF 212 251 04
HPW 11	Signalling Hooter	60 VAC, 50 Hz	+10/-15 %	0.25 A	FHF 212 251 05
HPW 11	Signalling Hooter	110 VAC, 50 Hz	+10/-15 %	0.15 A	FHF 212 251 06
HPW 11	Signalling Hooter	230 VAC, 50 Hz	+10/-15 %	0.07 A	FHF 212 251 07
HPW 11	Signalling Hooter	120 VAC, 60 Hz	+10/-15 %	0.15 A	FHF 212 252 06
HPW 11	Signalling Hooter	240 VAC, 60 Hz	+10/-15 %	0.07 A	FHF 212 252 07
HPWR 11	Signalling Hooter with telephone call relay	230 VAC, 60 Hz	+6/-10 %	0.07 A	FHF 212 254 07
HPW 11	Signalling Hooter	6 VDC	+10/-15 %	1.0 A	FHF 212 251 11
HPW 11	Signalling Hooter	12 VDC	+10/-15 %	0.6 A	FHF 212 251 12
HPW 11	Signalling Hooter	24 VDC	+10/-15 %	0.3 A	FHF 212 251 13
HPW 11	Signalling Hooter	48 VDC	+10/-15 %	0.24 A	FHF 212 251 14
HPW 11	Signalling Hooter	60 VDC	+10/-15 %	0.15 A	FHF 212 251 15
HPW 11	Signalling Hooter	110 VDC	+10/-15 %	0.08 A	FHF 212 251 16
HPW 11	Signalling Hooter	220 VDC	+10/-15 %	0.05 A	FHF 212 251 17
HPW 11	Signalling Hooter tropicalized	127 VDC	+10/-15 %	0.08 A	FHF 212 251 16 01