



## Mini Hooter HPO

All-purpose signalling device  
for dry and damp rooms

- ▶ Small dimensions
- ▶ High volume
- ▶ Continuous operation
- ▶ Low current consumption
- ▶ Simple installation
- ▶ Lift alarm version with especially low current consumption
- ▶ Protection Degree IP 43



### Application

The HPO hooter is a small, loud signalling device used for calling, warning and indicating purposes in dry and damp rooms.

Thanks to its small dimensions, it can also be used in cramped conditions.

### Design

The plastic housing is made of impact-resistant thermoplastic (ABS).

The sound source is a sturdy capsule system available for all usual DC and AC supply voltages.

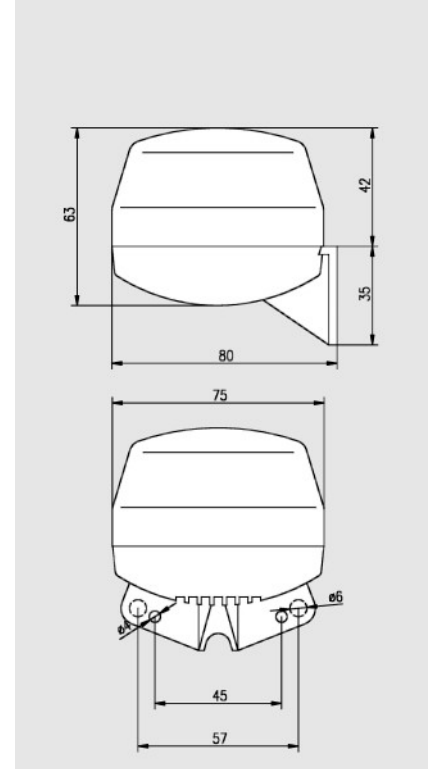
### Emergency indicator at an elevator

Thanks to its small dimensions, it can also be used in cramped conditions.



## Technical specifications

Housing	Thermoplastic (ABS), impact-resistant
Colour	grey
Protection degree	IP 43 (IEC 529)
Protection class	II
Connection terminals	2.5 mm <sup>2</sup> single wire, 1.5 mm <sup>2</sup> fine wire
Operating conditions	In dry and damp rooms
Operating position	Horn downwards
Operating mode	Continuous
Volume	Approx. 92 dB (A), 1 m (Regarding volume specifications, please see the chapter "Technical Informations".)
Temperature range	
Operation	-20°C to +60°C
Storage	-30°C to +70°C
Weight	0.185 kg



## Order information

Type	Name	Rated voltage in V	Permissible operating voltage range	Rated current in mA	Article no.
HPO	Mini Hooter	6 VAC 50 Hz	+10 %/-15 %	600	212 204 01
HPO	Mini Hooter	12 VAC 50 Hz	+10 %/-15 %	330	212 204 02
HPO	Mini Hooter	24 VAC 50 Hz	+10 %/-15 %	190	212 204 03
HPO	Mini Hooter	42 VAC 50 Hz	+10 %/-15 %	80	212 204 04
HPO	Mini Hooter	60 VAC 50 Hz	+10 %/-15 %	80	212 204 05
HPO	Mini Hooter	110 VAC 50 Hz	+10 %/-15 %	20	212 204 06
HPO	Mini Hooter	230 VAC 50 Hz	+10 %/-15 %	20	212 204 07
HPO	Mini Hooter	6 VDC	+10 %/-15 %	350	212 204 11
HPO	Mini Hooter	12 VDC	+10 %/-15 %	150	212 204 12
HPO	Mini Hooter	24 VDC	+10 %/-15 %	70	212 204 13
HPO	Mini Hooter	48 VDC	+10 %/-15 %	60	212 204 14
HPO	Mini Hooter	60 VDC	+10 %/-15 %	50	212 204 15
HPO	Mini Hooter	110 VDC	+10 %/-15 %	30	212 204 16
HPO	Mini Hooter	220 VDC	+10 %/-15 %	20	212 204 17
HPO Lift Alarm	Mini Hooter	6 VDC	+10 %/-15 %	80	212 204 21
HPO Lift Alarm	Mini Hooter	12 VDC	+10 %/-15 %	130	212 204 22

Subject to change without notice · Printout 03/12



FHF Funke + Huster Fernsig GmbH · P.O. Box 14 01 66 · D-45441 Mülheim an der Ruhr · Gewerbeallee 15-19 · D-45478 Mülheim an der Ruhr  
Telephone +49-208-82 68-0 · Fax +49-208-82 68-286 · <http://www.fhf.de> · e-mail: [info@fhf.de](mailto:info@fhf.de)

Malux Finland Oy, P.O.Box 69, FI-06151 PORVOO, Finland  
Phone: +358 (0)19 57 45 700, Fax: +358 (0)19 57 45 750, [www.malux.fi](http://www.malux.fi)