

Ex-repair- and maintenance receptacles: 16 A 3-pole and 5-pole up to 415 V



non-interlocked



non-interlocked



interlocked

Technical data

Ex-receptacles accd. to IEC 60309-1/2

Marking accd. to 2014/34/EU	⊕ II 2 G Ex ed IIC T6 / ⊕ II 2 D Ex tD A21 IP66 T80 °C/T95 °C
EC-Type Examination Certificate	PTB 00 ATEX 1032 X
Permissible ambient temperature	-20 °C to +40 °C ¹⁾
Rated voltage	up to 440 V (AC)
Rated current	16 A (AC)
Frequency	50/60 Hz
Rated making / Rated breaking capacity AC-3 accd. EN 60947-3	U _e 415 V / I _e 16 A
External back-up fuse, max.	without therm. protection: 16 A with therm. protection: 35 A gG (rated current 16 A set to)
Protection class	I
Degree of protection accd. to EN 60529	IP66
Cable entry	1 x M25 cable gland, 1 x M25 plastic Ex-screw plug or 2 x metal thread M20 with plastic Ex-screw plug
Connecting terminals	2 x 1.0 - 4 mm ²
Enclosure material	glass-fibre reinforced polyester

¹⁾ extended temperature range on request

Details for used cable glands see pages 2.3.ff

Malux

solutions

Malux Finland Oy, P.O.Box 69, FI-06151 PORVOO, Finland
Phone: +358 (0)19 57 45 700, Fax: +358 (0)19 57 45 750, www.malux.fi

Ex-repair- and maintenance receptacles: 16 A 3-pole and 5-pole up to 415 V



interlocked



non-interlocked



non-interlocked

Ordering details

Voltage	h	Type	Cable entry	Weight approx.	Order No.
Type CEE 16 A 3-pole, interlocked					
200-250 V		Wall socket	KU	1.1 kg	GHG 511 4306 R0901
		Wall socket	ME	1.2 kg	GHG 511 4306 R3901
		Wall socket	GM	1.2 kg	GHG 511 4306 R3902
		Plug			GHG 511 7306 R0001

Type CEE 16 A 3-pole, non-interlocked					
200-250 V		Wall socket	KU	1.2 kg	GHG 511 4306 R0903
		Wall socket	ME	1.3 kg	GHG 511 4306 R3905
		Wall socket	GM	1.3 kg	GHG 511 4306 R3906
		Plug			GHG 511 7306 R0001

Type 16 A 2-pole, non-interlocked „PE-contact“					
230 V		Wall socket ¹⁾	KU	1.2 kg	GHG 511 4306 R0902
		Wall socket ¹⁾	ME	1.3 kg	GHG 511 4306 R3903
		Wall socket ¹⁾	GM	1.3 kg	GHG 511 4306 R3904
		Schutzkontakt ¹⁾			

Voltage	h	Type	Aux. contact	Cable entry	Weight approx.	Order No.
Type CEE 16 A 5-pole, interlocked						
380-415 V		Wall socket	–	KU	1.6 kg	GHG 511 4506 R0901
		Wall socket	–	ME	1.7 kg	GHG 511 4506 R3901
		Wall socket	yes	KH	1.6 kg	GHG 511 4506 R0903
		Plug				GHG 511 7506 R0001

Type CEE 16 A 5-pole, non-interlocked						
380-415 V		Wall socket	–	KU	1.8 kg	GHG 511 4506 R0902
		Wall socket	–	ME	1.9 kg	GHG 511 4506 R3902
		Wall socket	yes	KH	1.8 kg	GHG 511 4506 R0904
		Plug				GHG 511 7506 R0001

Other voltage ranges and versions available on request

GM = 2 x metal thread M20 without cable gland/thread plug with protective earth

KU = 1 x plastic cable glands M25, 1 x M25 plastic Ex-screw plug

ME = 2 x metal thread M20 with plastic Ex-screw plug

KH = 2 x plastic cable glands M25 cable gland, with aux. contact, 1 x NO

¹⁾ Not compatible with GHG 511 7306 R0001

Malux

solutions

Malux Finland Oy, P.O.Box 69, FI-06151 PORVOO, Finland
 Phone: +358 (0)19 57 45 700, Fax: +358 (0)19 57 45 750, www.malux.fi

Ex-repair- and maintenance receptacles: 16 A 3-pole and 5-pole up to 415 V



non-interlocked

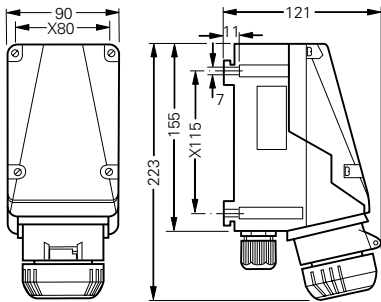


non-interlocked

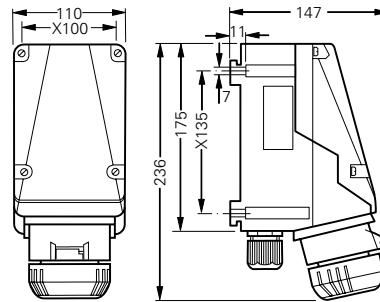


interlocked

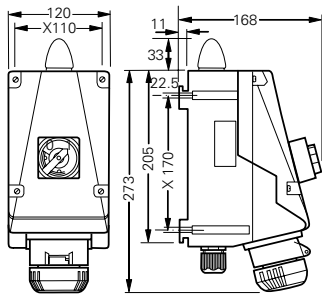
Dimension drawing | Wiring diagram



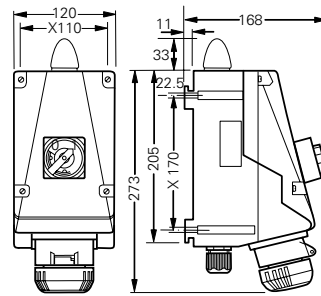
Wall socket interlocked 3-pole



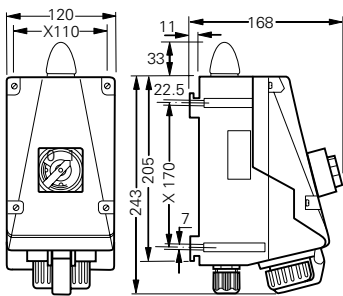
Wall socket interlocked 5-pole



Wall socket non-interlocked 3-pole



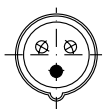
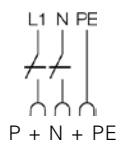
Wall socket non-interlocked 5-pole



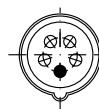
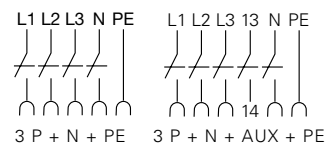
Wall socket non-interlocked with earthing contact 3-pole

X = fixing dimensions

with earthing contact



without aux. contact with aux. contact



Malux
solutions

Malux Finland Oy, P.O.Box 69, FI-06151 PORVOO, Finland
Phone: +358 (0)19 57 45 700, Fax: +358 (0)19 57 45 750, www.malux.fi