



Ex safety switches with separate actuator

Ex AZ 16 20/1S

Material number: 1210562

Features/Options

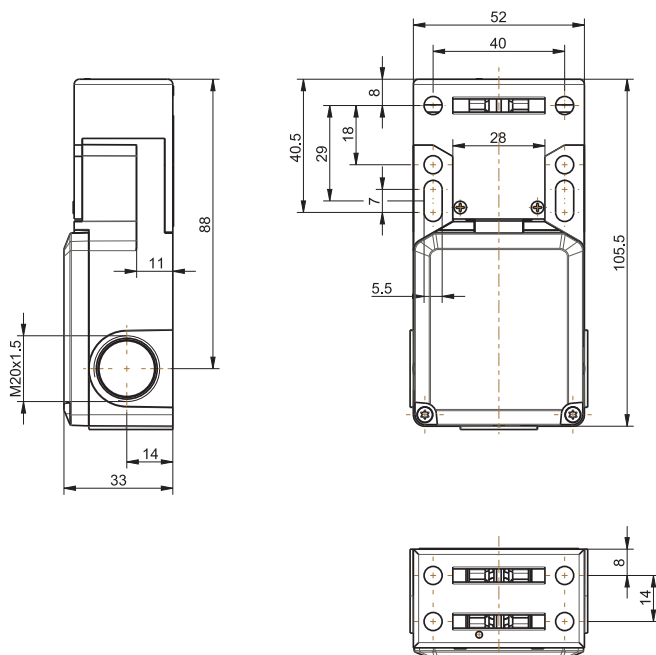
- Ex zone 1 and 21
- Thermoplastic enclosure
- Multiple coding

Notes

- 1 Ex"e" cable gland M20x1.5 included in delivery
- The actuator is not included in the delivery of the switches

- Wiring compartment
- N.B.: Please state required approvals for Russia and Korea with your order!

Dimensions



Technical data

Standards

EN 60947-5-1; EN 60079-0,
EN 60079-1, EN 60079-31;
EN ISO 13849-1; EN ISO 14119

Enclosure

glass-fibre reinforced,
shock-proof thermoplastic,
self-extinguishing UL 94-V0

Switch type

type 2

Coding level

low coding

Degree of protection

IP 65 to IEC/EN 60529

Contact material

silver

Switching system

slow action, positive break NC

Switching elements

contacts \ominus
2 NC/1 NO contact with double
break Zb, galvanically separated
contact bridges

Connection

screw connection terminals

B_{10d} (10 % Load)

2 million

T_M

max. 20 years

U_{imp}

4 kV

U_i

250 V

I_{the}

3 A

I_e/U_e

3 A/250 VAC; 0.25 A/230 VDC

Utilisation category

AC-15; DC-13

Max. fuse rating

3 A gG/gN fuse

Positive break travel

9.5 mm

Ambient temperature

T6: -20 °C ... +55 °C;

T5: -20 °C ... +70 °C

Mechanical life

> 1 million operations

Impact energy

max. 7 J

Ex marking

Ex II 2G Ex de IIC T6/T5 Gb,

Ex II 2D Ex tb IIIC

T80 °C/T95 °C Db

IECEx Ex de IIC T6/T5 Gb,

Ex tb IIIC T80 °C/T95 °C Db

Approvals

PTB 13 ATEX 1008 X

IECEx PTB 13.0014X

ERC Ex

Weight

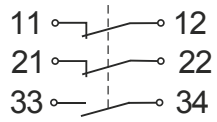
154 g

Errors and omissions excepted.

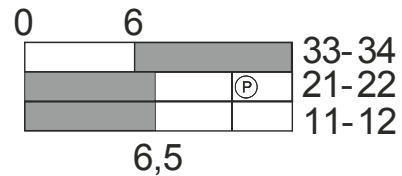


Ex safety switches with separate actuator
Ex AZ 16 2Ö/1S
Material number: 1210562

Contact diagram



Switching diagram



Note

Inserted position of actuator = 0 in switching diagram.
The actuator is not included with the switches.