

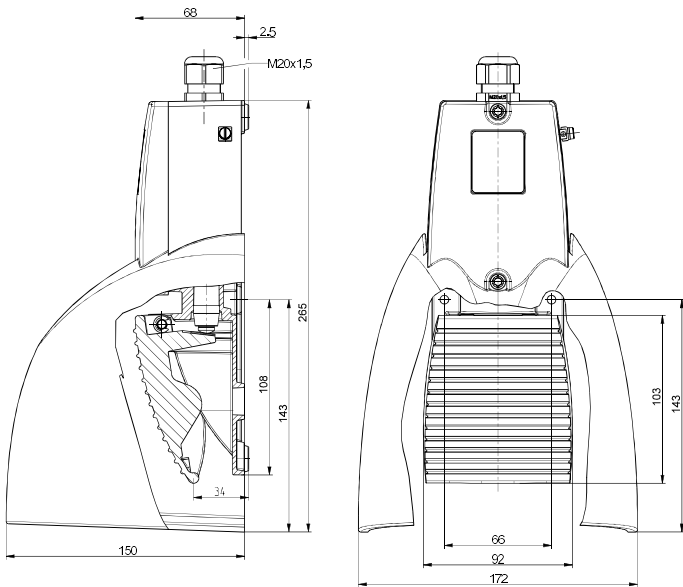


Ex foot switches
Ex GFSI 1Ö/1S -40°C ... +55°C IP66/67 Extreme
Material number: 1296855

Features/Options:

- Ex zone 1 and 21
- 1-pedal type
- Corrosion-resistant aluminium enclosure
- With protective shield
- Salt-mist spray test to DIN EN ISO 9227
- High degree of protection IP 66 / IP 67
- Temperature resistant from -40 °C to +55 °C
- Screws and metal parts made of stainless steel
- Wiring compartment
- Low pedal height
- N.B.: Please state required international approvals with your order!

Dimensions



Technical data

Standards	EN 60947-5-1; EN 60079-0, EN 60079-1, EN 60079-7, EN 60079-31; EN ISO 13849-1
Enclosure	Corrosion-resistant aluminium, powder-coated, similar to RAL 7016
Protective shield	Corrosion-resistant aluminium, powder-coated, similar to RAL 1003
Pedal	Corrosion-resistant aluminium, hard- and powder-coated, similar to RAL 7016
Connection	screw connection terminals
Cable cross-section	max. 2,5 mm ² (incl. conductor ferrules)
Degree of protection	IP 66/67 to IEC/EN 60529
Contact material	silver
Switching system	slow action, positive break NC contacts \ominus
Switching elements	1 NC/1 NO contact, type Zb
B _{10d} (10 % load)	2 million
T _M	max. 20 years
Utilisation category	AC-15; DC-13
I _e /U _e	5 A/250 VAC; 0.2 A/230 VDC
Max. fuse rating	5 A gG/gN fuse
Ambient temperature	T6: -40 °C ... +55 °C
Mechanical life	> 1 million operations
Impact energy	max. 7 J

Malux Finland Oy, P.O.Box 69, FI-06151 PORVOO, Finland
Phone: +358 (0)19 57 45 700, Fax: +358 (0)19 57 45 750, www.malux.fi

Errors and omissions excepted.



Ex foot switches
Ex GFSI 1Ö/1S -40°C ... +55°C IP66/67 Extreme
Material number: 1296855

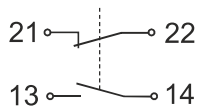
Technical data

Ex marking  II 2G Ex de IIC T6 Gb,
 II 2D Ex tb IIIA T80°C Db
IECEX Ex de IIC T6 Gb,
Ex tb IIIA T80°C Db

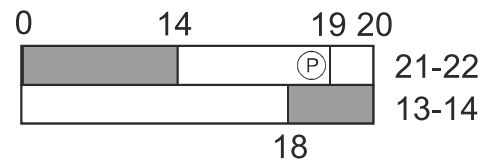
Approvals PTB 15 ATEX 1010
IECEX PTB 15.0035



Contact diagram



Switching diagram



Malux Finland Oy, P.O.Box 69, FI-06151 PORVOO, Finland
Phone: +358 (0)19 57 45 700, Fax: +358 (0)19 57 45 750, www.malux.fi

Errors and omissions excepted.