

## EXKO 7317 - Ex-safety switches 630 A



3-pole

### Technical data

#### Ex-safety switches 630 A

Marking accd. to 2014/34/EU	☉ II 2 G Ex de IIC T6, T5 bzw. T4 <sup>1)</sup> / ☉ II 2 D IP66 T80 °C/T95 °C	
EC-Type Examination Certificate	PTB 99 ATEX 1057	
IECEX Certificate of Conformity	IECEX PTB 12.0026	
Marking accd. to IECEx	Ex d IIC T6, T5 or T4 Gb / Ex de IIC T6, T5 or T4 Gb Ex d IIB T6, T5 or T4 Gb / Ex de IIB T6, T5 or T4 Gb	
Permissible ambient temperature	-20 °C up to +40 °C <sup>2)</sup>	
Rated voltage	up to max. 690 V	
Rated current	max. 630 A	
Frequency	50/60 Hz	
Rated making/breaking capacity AC-3 accd. EN 60947-3	U <sub>e</sub> 230 V / I <sub>e</sub> 630 A U <sub>e</sub> 400 V / I <sub>e</sub> 630 A U <sub>e</sub> 500 V / I <sub>e</sub> 630 A U <sub>e</sub> 690 V / I <sub>e</sub> 630 A	
Back-up fuse	up to 400 V AC: 800 A gG up to 500 V AC: 800 A gG up to 690 V AC: 800 A gG	
Connecting terminals	main contact	6 x 240 mm <sup>2</sup> /2 x 120 mm <sup>2</sup>
	auxiliary/signal contact	2 x 4 mm <sup>2</sup>
Protection class	I	
Degree of protection accd. to EN 60529	IP54 (IP65 optional)	
Cable glands/enclosure drilling	M25 cable gland see ordering details M80 Ø 62 - 68 mm see ordering details	
Weight	approx. 245 kg	
Enclosure material	steel, powder-coated polyester connection box steel, powder-coated	
Colour	Enclosure	grey (RAL 7032)
	Cover	dark grey (RAL 7022)
Auxiliary contact	1 x NO making - lagging; breaking - leading 1 x NC making - leading; breaking - lagging	
Padlocking facility	can be locked in OFF position with 3 commercially available padlocks (Ø max. 6 mm)	

<sup>1)</sup> Also available with Explosion Group IIB

<sup>2)</sup> Other ambient temperatures on request



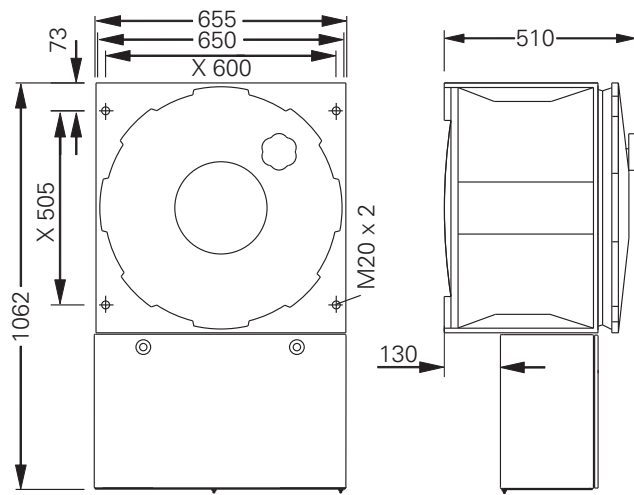
**3-pole**

**Ordering details**

Content	Cable gland	Order No.
<b>Safety switch 630 A 3-pole</b> <b>Version with 2 auxiliary contacts (1 NO; 1 x NC)</b>		
3-pole	4 x M80 / 1 x M25	<b>EXKO 731713 V0001</b>
3-pole EMERGENCY STOP	4 x M80 / 1 x M25	<b>EXKO 731723 V0001</b>

Customized version on request, auxiliary contacts in Ex ia available

**Dimension drawing**



**3-pole**

**X = fixing dimensions**