

## EXKO 7317 - Ex-safety switches 250 A



3-pole



3-pole EMERGENCY STOP



6-pole



6-pole EMERGENCY STOP

### Technical data

#### Ex-safety switches 250 A

Marking accd. to 2014/34/EU	☉ II 2 G Ex de IIC T6, T5 bzw. T4 <sup>1)</sup> / ☉ II 2 D IP66 T80 °C/T95 °C	
EC-Type Examination Certificate	PTB 99 ATEX 1057	
IECEX Certificate of Conformity	IECEX PTB 12.0026	
Marking accd. to IECEx	Ex d IIC T6, T5 or T4 Gb / Ex de IIC T6, T5 or T4 Gb Ex d IIB T6, T5 or T4 Gb / Ex de IIB T6, T5 or T4 Gb	
Permissible ambient temperature	-20 °C up to +40 °C <sup>2)</sup>	
Rated voltage	up to max. 690 V	
Rated current	max. 250 A	
Frequency	50/60 Hz	
Rated making/breaking capacity AC-3 accd. EN 60947-3	U <sub>b</sub> 230 V / I <sub>b</sub> 250 A U <sub>b</sub> 400 V / I <sub>b</sub> 250 A U <sub>b</sub> 500 V / I <sub>b</sub> 250 A U <sub>b</sub> 690 V / I <sub>b</sub> 250 A	
Back-up fuse	up to 400 V AC: 250 A gG up to 500 V AC: 250 A gG up to 690 V AC: 200 A gG	
Connecting terminals	main contact 3-pole 6-pole auxiliary/signal contact	3 x 150 mm <sup>2</sup> /95 mm <sup>2</sup> 6 x 150 mm <sup>2</sup> /2 x 95 mm <sup>2</sup> 2 x 4 mm <sup>2</sup>
Protection class	I	
Degree of protection accd. to EN 60529	IP54 (IP65 optional)	
Cable glands/enclosure drilling	M25 cable gland see ordering details M63 cable gland see ordering details	
Weight	3-pole 6-pole	approx. 41.5 kg approx. 84.5 kg
Enclosure material	aluminium, powder-coated polyester connection box steel, powder-coated	
Colour	Enclosure Cover	grey (RAL 7032) dark grey (RAL 7022)
Auxiliary contact	1 x NO making - lagging; breaking - leading 1 x NC making - leading; breaking - lagging	
Padlocking facility	can be locked in OFF position with 3 commercially available padlocks (Ø max. 6 mm)	

<sup>1)</sup> Also available with Explosion Group IIB

<sup>2)</sup> Other ambient temperatures on request



**6-pole EMERGENCY STOP**



**6-pole**



**3-pole EMERGENCY STOP**



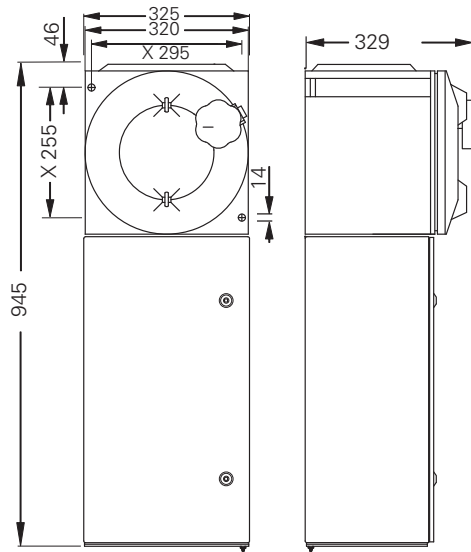
**3-pole**

**Ordering details**

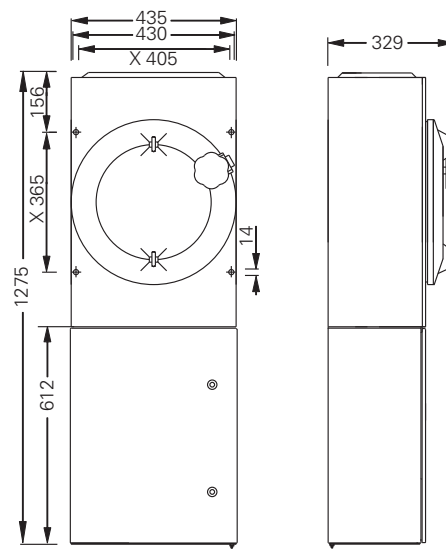
Content	Cable gland	Order No.
<b>Safety switch 250 A 3-pole</b>		
<b>Version with 2 auxiliary contacts (1 NO; 1 x NC)</b>		
3-pole	2 x M63 / 1 x M25	<b>EXKO 731713 T0001</b>
3-pole EMERGENCY STOP	2 x M63 / 1 x M25	<b>EXKO 731723 T0001</b>
<b>Safety switch 250 A 6-pole</b>		
<b>Version with 2 auxiliary contacts (1 NO; 1 x NC)</b>		
6-pole	4 x M63 / 1 x M25	<b>EXKO 731716 T0001</b>
6-pole EMERGENCY STOP	4 x M63 / 1 x M25	<b>EXKO 731726 T0001</b>

Customized version on request, auxiliary contacts in Ex ia available

**Dimension drawing**



**3-pole**



**6-pole**

**X = fixing dimensions**