



**RECESSED SPOTLIGHT
4.0291**

UNDERWATER

IP68



- › New development
- › Equivalent replacement for halogen (400 W)
- › Up to 6900 lumen light intensity





4.0291 | RETROFIT-SPOTLIGHT

FOR RETROFITTING IN EXISTING SWIMMING POOLS WITH EXISTING WIBRE INSTALLATION HOUSING. AS RETROFIT FOR MANY OTHER BRANDS.

IP68	STAINLESS STEEL V4A 1.4571 316Ti	POW-LED INCL.	3.000 K 4.500 K 6.000 K BLUE	RGB-W	CONSTANT CURRENT KONSTANT STROM	DALI 1-10 V OPTIONAL DIMM	CABLE EXCL.	max 5m			CE	
------	--	---------------	---------------------------------------	-------	------------------------------------	------------------------------	-------------	--------	--	--	----	--



NEW SERIES
CENTUM°
LIGHT UNDERWATER.
REDEFINED.
INFO ON PAGE 6

NEW

- Protection class IP68 – up to 5m water depth
- Entirely made of stainless steel 316Ti 1.4571, epolished
- Round attachment cover, made of stainless steel 316Ti, height 13 mm
- ...
- POW-LED cold white, warm white, neutral white
- POW-LED royal blue
- Multichip POW-LED RGB-W
- operating mode: constant current
- temperature controlled (onboard)
- surge protection
- light distribution especially for swimming pool lighting "asymmetric Mixflux"
- ...
- Constant-current power source/RGB-W-controller ordered separately
- Supplied without cable



+ ADDITIONAL PARTS

2x2,5 qmm
ø 8,0 mm, per m
9.6150.02.25

1x4,0 + 4x1,0 + 2x0,25 qmm
ø 10,7 mm, per m
9.6150.04.41

2x4,0 qmm
ø 9,7 mm, per m
9.6150.02.40

DMX-Dongle
load resistance 120 Ohm
5.0670.09.65

Fixation bracket
for built-in pot 4.0274 (Spotlight 4.0271, 4.0272, 4.0291)
9.0274.00.10

TIPP mounting housing
plastic, IP65, with 2 in/1 out, transparent cover,
suitable for power supply 5.0630.01.12 and RGB-W Controller 5.0630.09.52
9.0630.65.12

★ PRODUCT LINE

4.0291.73 – Retrofit Saline
Recessed spotlights
(underwater)
> Page 22

4.0292 – Standard
Recessed spotlights
(underwater)
> Page 10

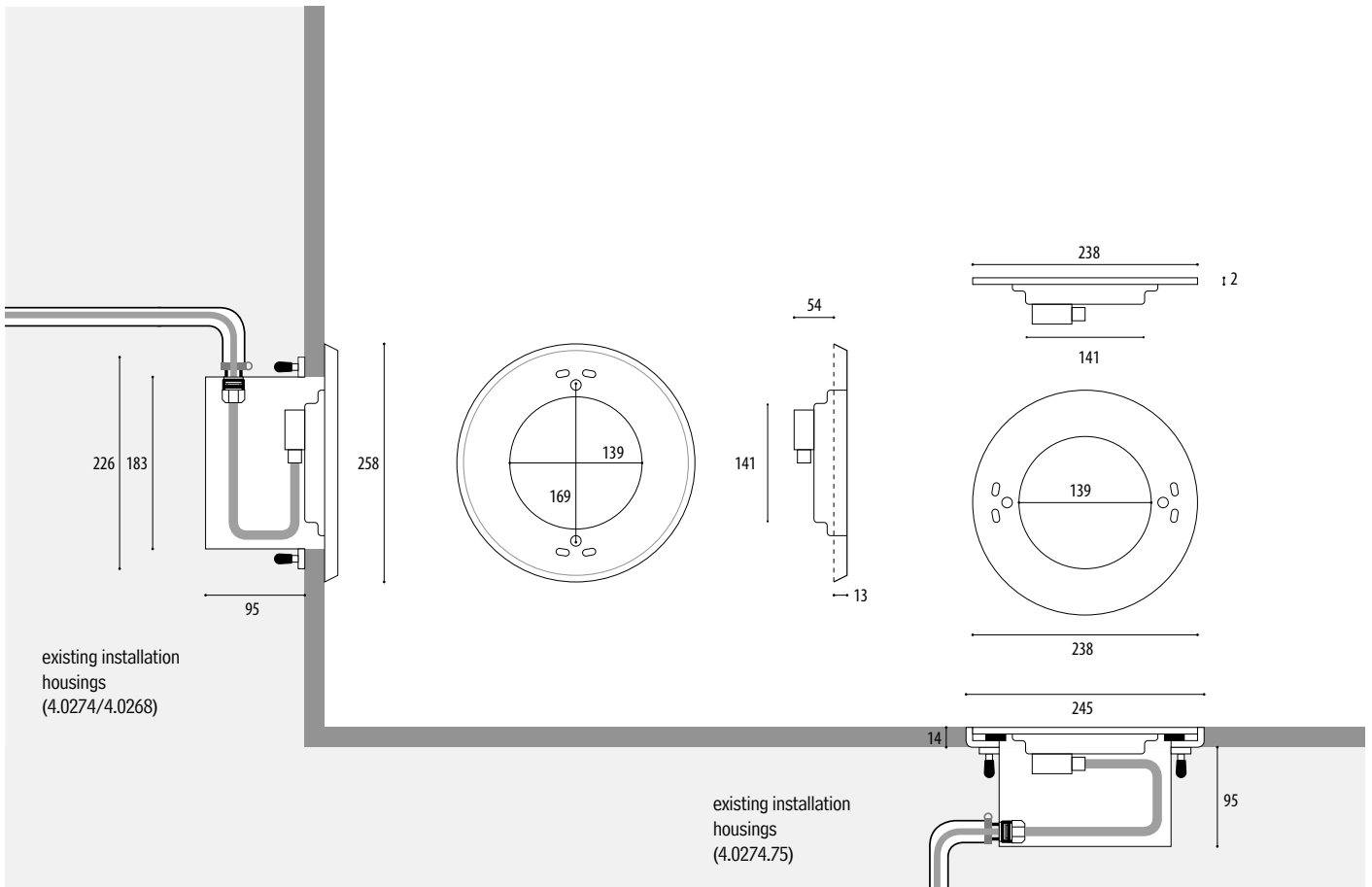
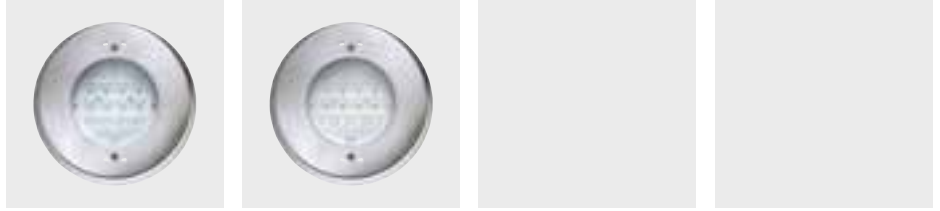
4.0292.73 – Standard Saline
Recessed spotlights
(underwater)
> Page 14



RECESSED SPOTLIGHT 4.0291

UNDERWATER

IP68



Article number	Lamps	Lumen	Light colour	Wattage	Current	Radation angle
ONLY UNDERWATER OPERATION						
STANDARD VERSION - RETROFIT INSTALLATION FOR INSTALLATION HOUSING 4.0274/4.0268						
4.0291.00.11	12 POW-LED	6900 lm	6000K cold white	total 47 W	CC 3600mA @12 V-DC	asymmetrisch Mixflux
4.0291.00.12	12 POW-LED	5640 lm	3000K warm white	total 47 W	CC 3600mA @12 V-DC	asymmetrisch Mixflux
4.0291.00.13	12 POW-LED	6036 lm	4500K neutral white	total 47 W	CC 3600mA @12 V-DC	asymmetrisch Mixflux
4.0291.00.16	48 POW-LED		500mW/LED royal blue 450 nm	total 49,5 W	CC 3600mA @12 V-DC	asymmetrisch Mixflux
4.0291.00.41	12 Multichip POW-LED	cold white: 2100 lm	RGB-CW cold white 6000K	all on 75 W	CC 1400mA @12 V-DC	asymmetrisch Mixflux
4.0291.00.42	12 Multichip POW-LED	warm white: 1800 lm	RGB-WW warm white 3000K	all on 75 W	CC 1400mA @12 V-DC	asymmetrisch Mixflux
4.0291.00.43	12 Multichip POW-LED	neutral white: 1920 lm	RGB-NW neutral white 4500K	all on 75 W	CC 1400mA @12 V-DC	asymmetrisch Mixflux
FLUSH MOUNTED VERSION - RETROFIT INSTALLATION FOR INSTALLATION HOUSING 4.0274.75						
4.0291.75.11	12 POW-LED	6900 lm	6000K cold white	total 47 W	CC 3600mA @12 V-DC	asymmetrisch Mixflux
4.0291.75.12	12 POW-LED	5640 lm	3000K warm white	total 47 W	CC 3600mA @12 V-DC	asymmetrisch Mixflux
4.0291.75.13	12 POW-LED	6036 lm	4500K neutral white	total 47 W	CC 3600mA @12 V-DC	asymmetrisch Mixflux
4.0291.75.16	48 POW-LED		500mW/LED royal blue 450 nm	total 49,5 W	CC 3600mA @12 V-DC	asymmetrisch Mixflux
4.0291.75.41	12 Multichip POW-LED	cold white: 2100 lm	RGB-CW cold white 6000K	all on 75 W	CC 1400mA @12 V-DC	asymmetrisch Mixflux
4.0291.75.42	12 Multichip POW-LED	warm white: 1800 lm	RGB-WW warm white 3000K	all on 75 W	CC 1400mA @12 V-DC	asymmetrisch Mixflux
4.0291.75.43	12 Multichip POW-LED	neutral white: 1920 lm	RGB-NW neutral white 4500K	all on 75 W	CC 1400mA @12 V-DC	asymmetrisch Mixflux



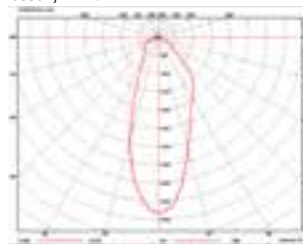
RECESSED SPOTLIGHT 4.0291



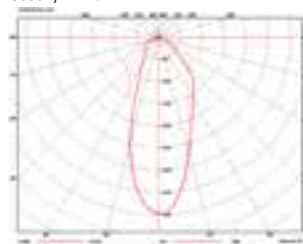
IP68

UNDERWATER

6000K, Mixflux



3000K, Mixflux



4500K, Mixflux



< Project

Actionbad Kokpunkten, Västerås, Sweden; Partner: Malux Sweden

NOTE

Versions with plastic component for retrofit installations available. For wall installation or flexible use on the edge of the pool.

Spotlights without connected cable for simple retrofitting of halogen to POW LED with use of the existing 2-pin cable (Only monochrome, cross section min. 2x2.5qmm). The cable can be connected to the connection box without opening the spotlight. Always observe the separate manual instructions.

In case of retrofitting to RGB-W version, the cable must be replaced with special underwater cable (9.6150.04.41).

Existing transformers must be replaced by appropriate power supply units and RGBW-controllers.

Version for saline water see page 22



OPTIONS

Possible beam angle POW-LED



POW-LED monochrome, single colour in green, red, amber, blue, capri blue, 2700K

Individual configuration of the LED multichips possible



Power supplies Technical details see from page 234.

5.0630.01.12		5.0630.03.12		5.0630.10.12	
5.0630.01.12	Constant Current power supply, dimmable, max 1 spotlights	5.0630.03.12	Constant Current power supply, dimmable, max 3 spotlights	5.0630.10.12	Constant Current power supply, IP65, not dimmable, max 1 spotlights

5.0630.09.52
5.0630.09.52
5.0630.09.52 RGB-W-Controller, max 1 spotlights

5.0630.01.12		5.0630.03.12		5.0630.10.12	
5.0630.01.12	Constant Current power supply, dimmable, max 1 spotlights	5.0630.03.12	Constant Current power supply, dimmable, max 3 spotlights	5.0630.10.12	Constant Current power supply, IP65, not dimmable, max 1 spotlights

5.0630.09.52
5.0630.09.52
5.0630.09.52 RGB-W-Controller, max 1 spotlights