



# RECESSED SPOTLIGHT 4.0271

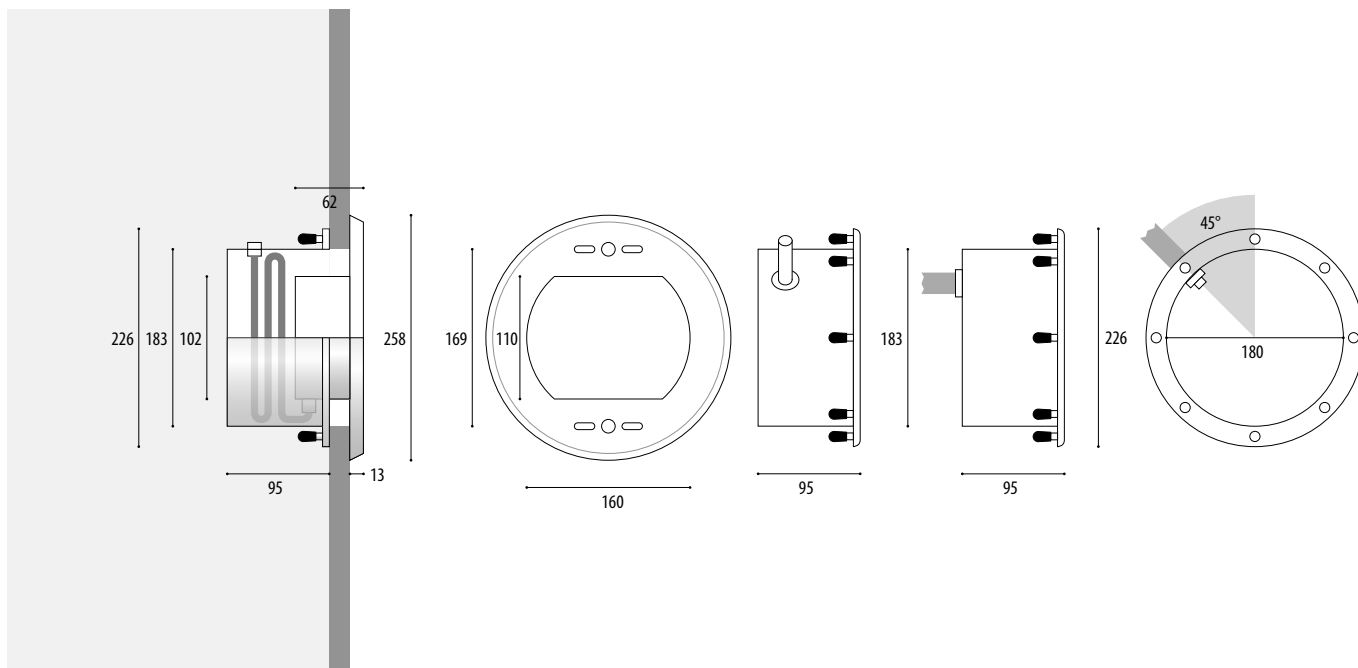
UNDERWATER

IP68



Frosted glass

Installation housing



Article number    Lamps    Lumen    Light colour    Wattage    Current/Voltage    Cable, installs    [V]

ONLY UNDERWATER OPERATION

HALOGEN

|              |      |          |       |      |        |                               |     |
|--------------|------|----------|-------|------|--------|-------------------------------|-----|
| 4.0271.03.10 | QT12 | 2.200lm  | 3000K | 100W | 12V-AC | 3 m (2x2,5 mm <sup>2</sup> )  | B18 |
| 4.0271.06.10 | QT12 | 2.200lm  | 3000K | 100W | 12V-AC | 6 m (2x2,5 mm <sup>2</sup> )  | B18 |
| 4.0271.10.10 | QT12 | 2.200lm  | 3000K | 100W | 12V-AC | 10 m (2x2,5 mm <sup>2</sup> ) | B18 |
| 4.0271.03.17 | QT16 | 5.100lm  | 3000K | 175W | 12V-AC | 3 m (2x2,5 mm <sup>2</sup> )  | A11 |
| 4.0271.06.17 | QT16 | 5.100lm  | 3000K | 175W | 12V-AC | 6 m (2x4,0 mm <sup>2</sup> )  | A11 |
| 4.0271.10.17 | QT16 | 5.100lm  | 3000K | 175W | 12V-AC | 10 m (2x4,0 mm <sup>2</sup> ) | A11 |
| 4.0271.03.20 | QT16 | 5.800lm  | 3000K | 200W | 30V-DC | 3 m (2x2,5 mm <sup>2</sup> )  | A12 |
| 4.0271.06.20 | QT16 | 5.800lm  | 3000K | 200W | 30V-DC | 6 m (2x2,5 mm <sup>2</sup> )  | A12 |
| 4.0271.10.20 | QT16 | 5.800lm  | 3000K | 200W | 30V-DC | 10 m (2x2,5 mm <sup>2</sup> ) | A12 |
| 4.0271.03.40 | QT16 | 11.600lm | 3000K | 400W | 30V-DC | 3 m (2x2,5 mm <sup>2</sup> )  | A14 |
| 4.0271.06.40 | QT16 | 11.600lm | 3000K | 400W | 30V-DC | 6 m (2x2,5 mm <sup>2</sup> )  | A14 |
| 4.0271.10.40 | QT16 | 11.600lm | 3000K | 400W | 30V-DC | 10 m (2x4,0 mm <sup>2</sup> ) | A14 |

POW-LED 24 V-DC

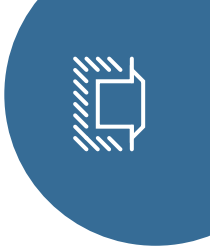
|              |            |         |                  |             |                    |                              |     |
|--------------|------------|---------|------------------|-------------|--------------------|------------------------------|-----|
| 4.0271.00.01 | 18 POW-LED | 2700 lm | 6000K cold white | total 50 W  | CC 700 mA @24 V-DC | 3 m (2x2,5 mm <sup>2</sup> ) | W55 |
| 4.0271.00.09 | 24 POW-LED |         | RGB              | all on 30 W | CC 350 mA @24 V-DC | 3 m (8x0,5 mm <sup>2</sup> ) |     |

POW-LED 12 V-DC

|              |            |         |   |             |                    |                                    |     |
|--------------|------------|---------|---|-------------|--------------------|------------------------------------|-----|
| 4.0271.00.11 | 27 POW-LED | 4050 lm | 6000K cold white                            | total 85 W  | CC 700 mA @12 V-DC | 3 m (6x1 + 2x0,5 mm <sup>2</sup> ) | W62 |
| 4.0271.00.12 | 27 POW-LED | 3510 lm | 3000K warm white                            | total 85 W  | CC 700 mA @12 V-DC | 3 m (6x1 + 2x0,5 mm <sup>2</sup> ) |     |
| 4.0271.00.13 | 27 POW-LED | 3780 lm | 4500K neutral white                         | total 85 W  | CC 700 mA @12 V-DC | 3 m (6x1 + 2x0,5 mm <sup>2</sup> ) |     |
| 4.0271.00.26 | 27 POW-LED |         | capri blue (9 x blue, 9 x green, 9 x white) | total 85 W  | CC 700 mA @12 V-DC | 3 m (6x1 + 2x0,5 mm <sup>2</sup> ) |     |
| 4.0271.00.19 | 27 POW-LED |         | RGB   | all on 85 W | CC 700 mA @12 V-DC | 3 m (6x1 + 2x0,5 mm <sup>2</sup> ) |     |

INSTALLATION HOUSING

|              |   |
|--------------|---|
| 4.0274.00.00 | built in pot of 316L stainless steel with 1,5 m cable duct, cable entry from side   |
| 4.0274.00.50 | built in pot of 316L stainless steel with 1,5 m cable duct, cable entry from behind |



# 4.0271 | SWIMMINGPOOL-LIGHT

FOR ILLUMINATION MEDIUM AND LARGE SWIMMING POOLS.

○→○ CENTUM<sup>®</sup> Updated version available: 4.0292 – Page 10

|      |  |               |                               |                                    |                                    |             |        |   |   |    |     |
|------|--|---------------|-------------------------------|------------------------------------|------------------------------------|-------------|--------|---|---|----|-----|
| IP68 | STAINLESS STEEL V4A<br>1.4571<br>316Ti | POW-LED INCL. | 3.000 K<br>4.500 K<br>6.000 K | CONSTANT CURRENT<br>KONSTANT STROM | QT12<br>QT16<br>12 V-AC<br>30 V-DC | CABLE INCL. | max 3m | ← | ↘ | CE | III |
|------|--|---------------|-------------------------------|------------------------------------|------------------------------------|-------------|--------|---|---|----|-----|



- Protection class IP68 – up to 3m water depth
- Entirely made of stainless steel 316Ti 1.4571
- Round attachment cover, made of stainless steel 316Ti, height 13 mm
- For all standard pool types
- ...
- QT12 or QT16 light sources
- POW-LED white 12 V-DC
- POW-LED capriblue 12 V-DC
- POW-LED RGB 12 V-DC
- POW-LED white 24 V-DC
- POW-LED RGB 24 V-DC
- optimization of beam angle character
- POW-LED-Platine temperatur control (NTC)
- Beam angle: 80° symmetric/horizontal and 45° asymmetric/vertical (halogen)
- ...
- Light source can be changed without draining the water (halogen)
- type 4.0272 with frosted glass for soft light distribution (light losses approx. 15 %)
- Supplied with light source and special underwater cable already connected

## OPTIONS

Monochrome POW-LED available in red, green, blue, amber and warm white

## NOTE

An installation housing is required for a new installation. Please order separately.

Must only be operated with a WIBRE power supply or controller

Power supplies Technical details see from page 234.

|              |   |              |                               |
|--------------|---|--------------|-------------------------------|
| 5.0100.00.00 | Transformer, max 1 spotlights                   | 5.0311.00.00 | Transformer, max 2 spotlights |
| 5.0100.00.00 |   | 5.0311.00.00 |                               |
| 5.0100.00.00 |   | 5.0103.00.00 | Transformer, max 2 spotlights |
| 5.0311.00.00 | Transformer, max 1 spotlights                   | 5.0103.00.00 |                               |
| 5.0311.00.00 |   | 5.0103.00.00 |                               |
| 5.0410.00.01 | Transformer, max 1 spotlights                   | 5.0420.00.01 | Transformer, max 2 spotlights |
| 5.0410.00.01 |   | 5.0420.00.01 |                               |
| 5.0410.00.01 |   | 5.0420.00.01 |                               |
| 5.0420.00.01 | Transformer, max 1 spotlights                   |              |                               |
| 5.0420.00.01 |   |              |                               |
| 5.0670.00.40 | Constant Current power supply, max 1 spotlights |              |                               |
| 5.0635.09.24 | RGB-Controller, max 1 spotlights                |              |                               |
| 5.0670.11.24 |   |              |                               |
| 5.0670.11.24 | Constant Current power supply, max 1 spotlights |              |                               |
| 5.0670.11.24 |   |              |                               |
| 5.0670.11.24 |   |              |                               |
| 5.0670.19.24 | RGB-Controller, max 1 spotlights                |              |                               |

## + ADDITIONAL PARTS

|  |   |
|--|---|
|  | pressure flange for thin-walled pools or pools with fitted plastic foil<br><b>4.0274.00.25</b>                    |
|  | gluing and pressure flange for adhesive/foil coating with pressure flange<br><b>4.0274.55.25</b>                  |
|  | gluing flange for adhesive/foil coating<br><b>4.0274.55.55</b>  |
|  | mounting plate for replacement to Wibre, square, grade 316, 290 x 290 x 11 mm<br><b>9.8167.00.00</b>              |
|  | mounting plate for replacement to Wibre, round, grade 316, ø 310 x 11 mm<br><b>9.8267.00.00</b>                   |
|  | colour disk, for halogene<br>yellow <b>4.0265.04.00</b><br>red <b>4.0265.06.00</b> blue <b>4.0265.07.00</b> green |