



RECESSED SPOTLIGHT 4.0199

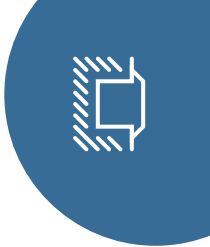
UNDERWATER

IP68



- › Versatile spotlight with award-winning technology
- › Up to 3450 lumen light intensity
- › Ideal for private pools, hotel pools and adventure pools





4.0199 | SWIMMINGPOOL-LIGHT

FOR ILLUMINATING MEDIUM-SIZED SWIMMING POOLS.

○→○ CENTUM® Updated version available: 4.0202 – Page 26

IP68	STAINLESS STEEL V4A 1.4571 316Ti	POW-LED INCL.	3.000 K 4.500 K 6.000 K BLUE	RGB RGB-W	CONSTANT CURRENT CONSTANT VOLTAGE	DALI 1-10V OPTIONAL DIMM	CABLE INCL.	max 5m			CE	
------	--	---------------	---------------------------------------	--------------	--------------------------------------	-----------------------------	-------------	--------	--	--	----	--



- Protection class IP68 – up to 5m water depth
- Entirely made of stainless steel 316Ti 1.4571
- Round attachment cover, made of stainless steel 316Ti, height 3 mm
- ...
- POW-LED cold white, warm white, neutral white
- POW-LED royal blue
- Multichip POW-LED RGB
- operating mode: constant current

- Multichip POW-LED RGB-W
- operating mode: constant voltage

- Halogene QR-CB51 ES 12 V-AC
- Rotationally symmetric light distribution
- ...
- Constant-current power source/RGB controller/transformer ordered separately
- Installation housing made of stainless steel 316Ti with 1.5 m cable protection tube
- Supplied with 3 m of special underwater cable

+ ADDITIONAL PARTS

- glass disc, frosted
for softer light distribution (light loss approx. -15%)
50.4.00109.138
- mounting plate
for adaptation to 4.0199 series with already installed housing, made of stainless steel 316Ti, round, ø 300 mm
9.0199.20.00

★ PRODUCT LINE

- 4.0299 – Retrofit**
Recessed spotlights (underwater)
> Page 54
- 4.0299.73 – Retrofit Saline**
Recessed spotlights (underwater)
> Page 58
- 4.0299.75 – Flush**
Recessed spotlights (underwater)
> Page 62



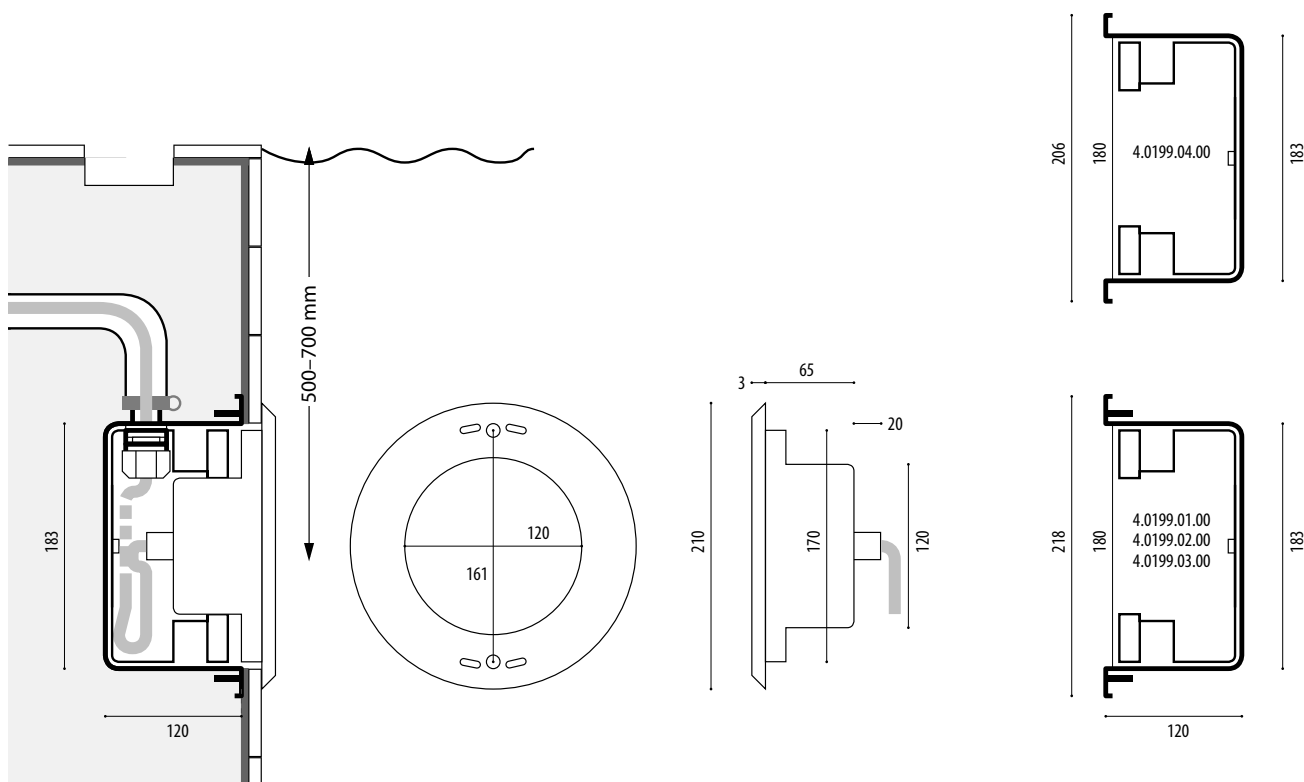
RECESSED SPOTLIGHT 4.0199

UNDERWATER

IP68



Installation housing



Article number	Lamps	Lumen	Light colour	Wattage	Current/Voltage	Radation angle	UW-Cable, installs	[V]
----------------	-------	-------	--------------	---------	-----------------	----------------	--------------------	-----

ONLY UNDERWATER OPERATION

POW-LED MONOCHROME

4.0199.00.11	15 POW-LED	3450 lm	6000K cold white	total 42 W	CC 3500mA @12 V-DC	120° flood	UW, 2x2,5 qmm	W23
4.0199.00.12	15 POW-LED	2850 lm	3000K warm white	total 42 W	CC 3500mA @12 V-DC	120° flood	UW, 2x2,5 qmm	
4.0199.00.13	15 POW-LED	3225 lm	4500K neutral white	total 42 W	CC 3500mA @12 V-DC	120° flood	UW, 2x2,5 qmm	
4.0199.00.16	15 POW-LED	650 mW/LED	royal blue	total 42 W	CC 3500mA @12 V-DC	120° flood	UW, 2x2,5 qmm	

POW-LED RGB

4.0199.00.19	9 Multichip POW-LED		RGB	all on 85 W	CC 700mA @12 V-DC	120° flood	UW, 6x1,0 + 2x0,5 qmm	X09
---------------------	---------------------	--	-----	-------------	-------------------	------------	-----------------------	-----

POW-LED RGB-W - DIFFUS - SCATTER DISC

4.0199.00.41	6 Multichip POW-LED	coldwhite: 1590 lm	RGB-CW cold white 6000K	all on 60 W	CV 12 V-DC	diffus	UW, 2x2,5 + 4x0,5 qmm	
4.0199.00.42	6 Multichip POW-LED	warmwhite: 1220 lm	RGB-WW warm white 3000K	all on 60 W	CV 12 V-DC	diffus	UW, 2x2,5 + 4x0,5 qmm	
4.0199.00.43	6 Multichip POW-LED	neutralwhite: 1390 lm	RGB-NW neutral white 4500K	all on 60 W	CV 12 V-DC	diffus	UW, 2x2,5 + 4x0,5 qmm	
4.0199.00.44	6 Multichip POW-LED		RGB amber	all on 60 W	CV 12 V-DC	diffus	UW, 2x2,5 + 4x0,5 qmm	

POW-LED RGB-W - 25° MIXING LENSES

4.0199.01.41	6 Multichip POW-LED	coldwhite: 1590 lm	RGB-CW cold white 6000K	all on 60 W	CV 12 V-DC	25° medium spot	UW, 2x2,5 + 4x0,5 qmm	
4.0199.01.42	6 Multichip POW-LED	warmwhite: 1220 lm	RGB-WW warm white 3000K	all on 60 W	CV 12 V-DC	25° medium spot	UW, 2x2,5 + 4x0,5 qmm	
4.0199.01.43	6 Multichip POW-LED	neutralwhite: 1390 lm	RGB-NW neutral white 4500K	all on 60 W	CV 12 V-DC	25° medium spot	UW, 2x2,5 + 4x0,5 qmm	
4.0199.01.44	6 Multichip POW-LED		RGB amber	all on 60 W	CV 12 V-DC	25° medium spot	UW, 2x2,5 + 4x0,5 qmm	

HALOGENE

4.0199.00.15	3 x QR-CBC51 ES 50 W	8.600cd	3000K	150W	12V-AC	36°	UW, 2x2,5 qmm	C85
---------------------	----------------------	---------	-------	------	--------	-----	---------------	-----

INSTALLATION HOUSING

4.0199.01.00	made of V4A stainless steel with 1.5 m protective cable tube and M20 plastic terminating connection, for installation in concrete pools with tile covering
4.0199.02.00	made of V4A stainless steel with 1.5m protective cable tube and M20 plastic terminating connection, for installation in thin-walled pools and foil lined pools (pressure flange ø 218 mm)
4.0199.03.00	made of V4A stainless steel with 1.5 m protective cable tube and M20 plastic terminating connection, for installation in pools with adhesive/foil coating (adhesive flange ø 360 mm)
4.0199.04.00	made of V4A stainless steel with 1.5 m protective cable tube and M20 plastic terminating connection, for facing concrete and for welding into stainless steel pools



RECESSED SPOTLIGHT 4.0199

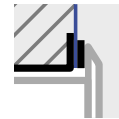


IP68

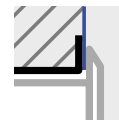
UNDERWATER



pressure flange
for thin-walled pools or pools with fitted
plastic foil



gluing and pressure flange
for adhesive/foil coating with pressure
flange



gluing flange
for adhesive/foil coating

< Project
Europabad, Karlsruhe, Germany

Power supplies Technical details see from page 234.

5.0670.00.15

5.0670.00.15 Constant Current power supply,
5.0670.00.15 max 1 spotlights

5.0670.00.15

5.0670.19.24

RGB-Controller, max 1 spotlights

5.0670.09.52

5.0670.09.52 RGB-W-Controller,
5.0670.09.52 max 2 spotlights

5.0670.09.52

5.0670.09.52

5.0670.09.52 RGB-W-Controller,
5.0670.09.52 max 2 spotlights

5.0670.09.52

5.0101.00.00

Transformer, max 1 spotlights

NOTE



Matching installation housing should be selected,
depending on the installation type and situation.



For facing concrete please use housing 4.0199.04.00



SALINE version possible - Spotlight 4.0299.73

OPTIONS

Possible beam angle POW-LED



Possible beam angle HALOGENE



POW-LED monochrome, single colour in green, red,
amber, turquoise, capri blue



Version without Scatter disc at RGB-W