

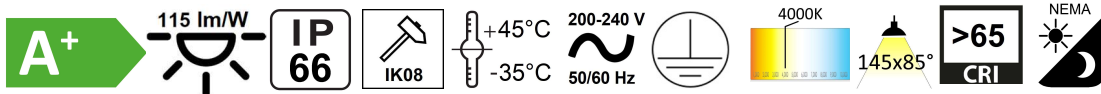
CYLON MINI – LED STREETLIGHTS



FEATURES & BENEFITS

- Sleek, low profile design
- Perfect replacement for 70W SON
- NEMA photocell compatible
- Improved efficiency (115 lm/W)

At a glance:



Mechanical:

Ingress Protection: IP66 as standard

Impact Protection: IK08

Construction: Silver, aluminium heatsink, with maintenance accessibility from underneath

Mounting: 60mm horizontal installation (adjustable extension available on request)

Working Temperature: -35°C - +45°C

Photocell: Socket included, photocell or blank (not included)

Important note: Either a photocell or blank is required for the NEMA socket to complete the electrical connection. Ordered separately

Electrical:

Input Voltage: 200-240VAC (50-60Hz)

Power Factor: 0.95

Power: 40W (other options available on request)

Photometric:

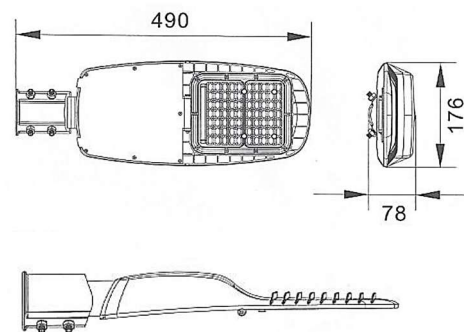
CCT: 4000K as standard

Beam Options: 145° x 85°

CRI: >65Ra

Lumen Maintenance: L70B10>50,000 hrs

Dimensions:



Certifications:



CODE	POWER	CCT	LUMINOUS FLUX	BEAM ANGLE	DIMENSIONS (LxWxH)
VER-USTMINI40	40W	4000K	4,525lm	145° x 85°	490x176x78mm

* Specifications and images subject to change without notice.

All VERDE products comply with surge immunity as specified by EN 61547:2009. However, the Verde Warranty also requires additional surge protective devices to be installed on-site against the effects caused by remote lightning strikes, inductive or capacitive coupling, and switching surge voltages. These are typically also installed at the main distribution and sub-distribution panels and are to be maintained and operational always. Refer to industry experts such as www.phoenixcontact.com for further surge protection advice.