

ADE-1F2 - for non-armoured cable

Technical specification



Suitable for the following cable types:

- Non-armoured cable
- Marine shipboard cable; Type P cable
- Tray cable

Provides 25% of cable clamping. As per IEC60079 § A.2.3.2 for group II or III cable glands, "without a clamping device, additional clamping of the cable is needed to ensure that pulling & twisting is not transmitted to the terminations". We recommend using the certified ADE clamping module (page 32).

Operating temperature:

-60°C to +140°C



Material:

Nickel-plated brass for superior corrosion resistance. 316 stainless steel, bronze and aluminum options available. It is recommended that a suitable lubricant is used on all threads of stainless steel and aluminum versions.

Ingress protection (IP):

IP66 / IP68 according to the method of attachment and the condition of the equipment area, see page 13.

Certifications and compliances:

ATEX certificate no: INERIS12ATEX0032X

Zones 1 and 2, Groups IIA, IIB and IIC
Zones 21 and 22 Groups IIIA, IIIB and IIIC

II2GD / Ex db IIC / Ex eb IIC / Ex tb IIIC

II3G Ex nRc IIC

IECEX certificate no: IECEX INE 12.0025X

Zones 1 and 2, Groups IIA, IIB and IIC
Zones 21 and 22, Groups IIIA, IIIB and IIC
Ex db IIC / Ex eb IIC / Ex nRc IIC / Ex tb IIIC

Other certificates:

CEPEL 05.0558X

CCoE P360379-1

KOSHA 2015.-BO-0249 to 0256

NANIO TC-RU C-FR.ГБ05.B.00858

NEPSI GYJ13.1082X

SABS MS/15-0314X

Shipping application:

ABS 14-HS1274083-PDA

BV 40910/A0 BV

DNV TAE000010X

Lloyds 11/00072

DTS-01:1991 compliant

UL certification:

3DJN E310130 ; Class I, Zone 1*, AEx e II
ADE sizes 3 to 8, 1/2" to 1 1/4" NPT or ISO 20 to 40 with TC-ER-HL non-armoured cable up to 1" diameter.

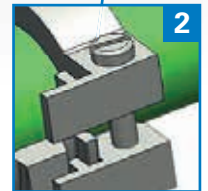
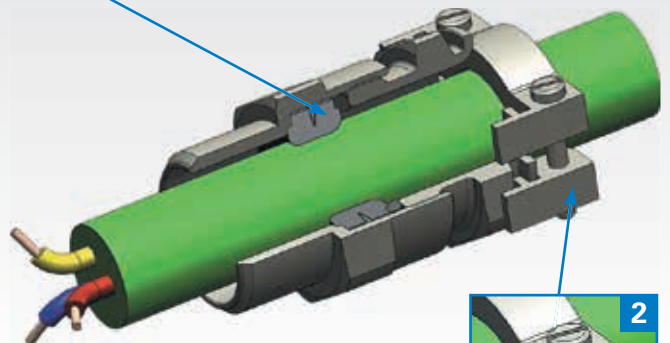
3DJN E310130 Class I Zone 2*, AEx e II, Ex e II
ADE sizes 3 to 17, NPT 1/2" to 4" or ISO 20 to 110 with non-armoured cable types ITC, MV, PLTC, TC-ER, TC-ER-HL, TC.

3LRC E314047 Class I Zone 2*, AEx e II, Ex e II
ADE sizes 3 to 17, NPT 1/2" to 4" or ISO 20 to 110 with non-armoured marine cable.

*Can be used in Div.2 provided that the enclosure contains no components that produce arcs or sparks.



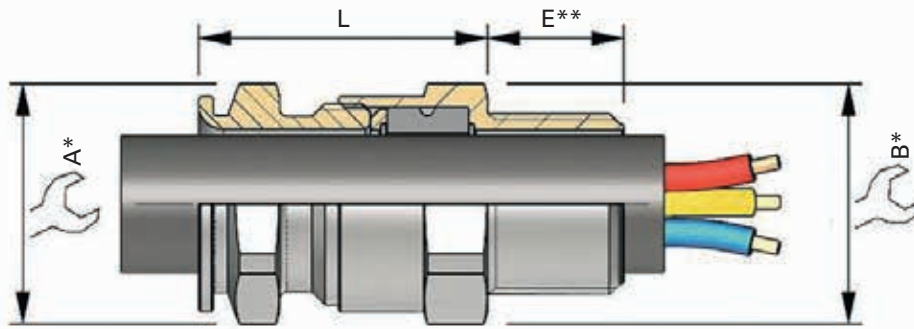
Features and benefits



- 1:** Specifically formulated elastomer for IP sealing on outer sheath of cable.
- 2:** Additional external cable clamping for strain relief (optional).

ADE-1F2 - order codes and dimensions

Dimensions



* For 'across corners' dimensions, multiply 'across flats' dimensions by 1.1

** For 'E' see thread dimension page 89

SERIES	THREAD SIZE	CABLE SEALING RANGE	MATERIAL	OPTION
ADE1	M25	3	NPN	

- 0 = XS
- 1 = S
- 2 = M
- 3 = L

SELECT

SELECT

SELECT

CODES

- K1 Accessories kit 1
- K2 Accessories kit 2
- K3 Accessories kit 3
- BLANK No option

KIT OPTIONS

- K1 Kit 1 contents:
 - Locknut
 - Green composite washer
- K2 Kit 2 contents:
 - Locknut
 - Green composite washer
 - Earth tag
 - Shroud
- K3 Kit 3 contents:
 - Locknut
 - Green composite washer
 - Earth tag
 - Serrated washer

- NPN Nickel-plated brass
- SSN Stainless steel
- BZN Bronze
- ALN Aluminum

SELECTION TABLE

SERIES	THREAD SIZE	THREAD SIZE CODE	THREAD SIZE	THREAD SIZE CODE	CABLE SEALING RANGE
ADE1	12*	M12	1/4**	N025	3
ADE1	16*	M16	3/8**	N038	2
ADE1	16*	M16	3/8**	N038	3
ADE1	20	M20	1/2"	N050	0
ADE1	20	M20	1/2"	N050	1
ADE1	20	M20	1/2"	N050	2
ADE1	20	M20	1/2"	N050	3
ADE1	25	M25	3/4"	N075	1
ADE1	25	M25	3/4"	N075	2
ADE1	25	M25	3/4"	N075	3
ADE1	32	M32	1"	N100	3
ADE1	40	M40	1 1/4"	N125	2
ADE1	40	M40	1 1/4"	N125	3
ADE1	50	M50	1 1/2"	N150	1
ADE1	50	M50	2"	N200	2
ADE1	63	M63	2"	N200	3
ADE1	75	M75	2 1/2"	N250	3
ADE1	90	M90	3"	N300	2
ADE1	90	M90	3"	N300	3
ADE1	110	M110	3 1/2"	N350	2
ADE1	110	M110	4"	N400	3

DIMENSIONS

CABLE SEALING RANGE ISO/(NPT)	A	B	L (LENGTH)
4.5 - 8.0	17	17	25.0
4.5 - 8.5	17	19	25.0
7.0 - 12.0	19	19	27.5
2.8 - 5.5	15	24	24.0
4.5 - 8.5	17	24	25.0
7.0 - 12.0	19	24	27.5
10.0 - 16.0 (15.5)	24	24	32.0
7.0 - 12.0	19	30	27.5
10.0 - 16.0	24	30	32.0
13.5 - 20.5	30	30	36.5
18.0 - 27.5 (26.0)	41	41	46.0
18.0 - 27.5 (26.0)	48	48	50.0
23.0 - 34.0	48	48	50.0
29.0 - 41.0	55	55	52.0
35.0 - 45.0 (48.0)	64	64	56.5
42.0 - 56.0 (53.0)	72	72	60.0
50.0 - 65.0 (62.5)	85	85	67.5
58.0 - 74.0	95	95	69.0
66.0 - 83.0 (78.0)	110	110	80.0
75.0 - 93.0 (92.0)	120	120	80.0
85.0 - 104.0	135	135	90.0

ADE GLAND SIZE	CATALOG NUMBER ISO	CATALOG NUMBER NPT
4	ADE1M123NPN	ADE1N0253NPN
4	ADE1M162NPN	ADE1N0382NPN
5	ADE1M163NPN	ADE1N0383NPN
3	ADE1M200NPN	ADE1N0500NPN
4	ADE1M201NPN	ADE1N0501NPN
5	ADE1M202NPN	ADE1N0502NPN
6	ADE1M203NPN	ADE1N0503NPN
5	ADE1M251NPN	ADE1N0751NPN
6	ADE1M252NPN	ADE1N0752NPN
7	ADE1M253NPN	ADE1N0753NPN
8	ADE1M323NPN	ADE1N1003NPN
8	ADE1M402NPN	ADE1N1252NPN
9	ADE1M403NPN	ADE1N1253NPN
10	ADE1M501NPN	ADE1N1501NPN
11	ADE1M502NPN	ADE1N2002NPN
12	ADE1M633NPN	ADE1N2003NPN
13	ADE1M753NPN	ADE1N2503NPN
14	ADE1M902NPN	ADE1N3002NPN
15	ADE1M903NPN	ADE1N3003NPN
16	ADE1M1102NPN	ADE1N3502NPN
17	ADE1M1103NPN	ADE1N4003NPN

* Not UL certified. All dimensions in mm. Above catalog numbers are for nickel-plated brass; refer to order code diagram for other options. For Group I certification, see page 80.