

## Lumiglas Luminaires Lumistar-LED

Sizes: 80, 100, 125, 150, 175, 225

- **For use on circular sight glass fittings**

For combination of sight glass and light glass.  
Suitable for circular sight glass fittings to DIN 28120 or similar,  
DN 50 to DN 200

- **Application:**

For illumination of internals of pressure vessels, tanks, bunkers,  
silos, stirred vessels and other normally enclosed containers in non  
explosion hazardous areas.  
Suitable for use in food processings.

- **Protection:**

When correctly fitted, dust and water jet tight to IP 65 and  
EN 60 529/DIN VDE 0470 part 1.

- **Max. permissible ambient temperature measured at  
cable entry gland: 45°C**

- **Caution:** Do not look into light – danger of impaired eyesight!

- **Electrical data:**

Power supply: 24 V AC/DC, 120-230 V AC  
Power: depending on type 5 W to 15 W LED  
Colour temperature: see table  
Luminous flux: see table

- **Reflected beam angle:**

Lumistar 80-LED to Lumistar 175-LED: 18° or 25°  
Lumistar 225-LED: 11° or 26°

- **Transformers or power supplies** for 230 V AC/24 V are available  
on request.

- **Mechanical installation:**

- Before commencing installation please read information sheet  
'Important guidelines for mounting sight glass fittings...'.  
- Caution: Do not look into light – danger of impaired eyesight!  
- The luminaire is attached to the mating flange of the circular  
sight glass unit by two or four bolts. A ring gasket with bridge  
provides the seal between luminaire and sight glass disc.  
- The fixing bolts (stainless steel A2) are part of the supply.

- **Electrical connection:**

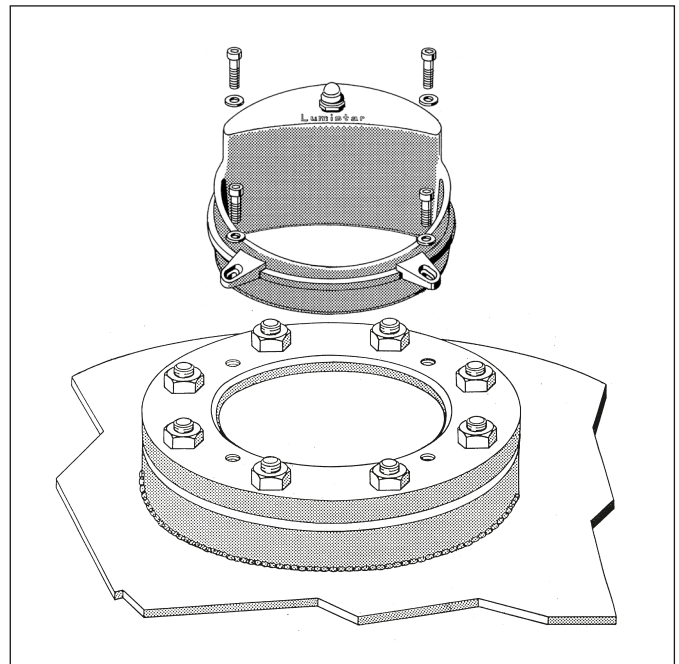
- Sizes 80 to 225 are supplied with a factory-installed 3 m  
connection cable. Other cable lengths are available on request.  
- The electrical connection is made via the connection cable,  
which is factory-connected in the luminaire.  
- The Lumiglas luminaire Lumistar-LED is designed for continuous  
operation. It can also be supplied with a push button.

CE

3755.557



Lumiglas luminaires Lumistar-LED



Sight- and light glasses are combined:  
Lumiglas luminaire Lumistar-LED with fixing screws  
and sight glass fitting to DIN 28120 or similar,  
welded into a vessel wall

Malux Finland Oy

P.O.Box 69

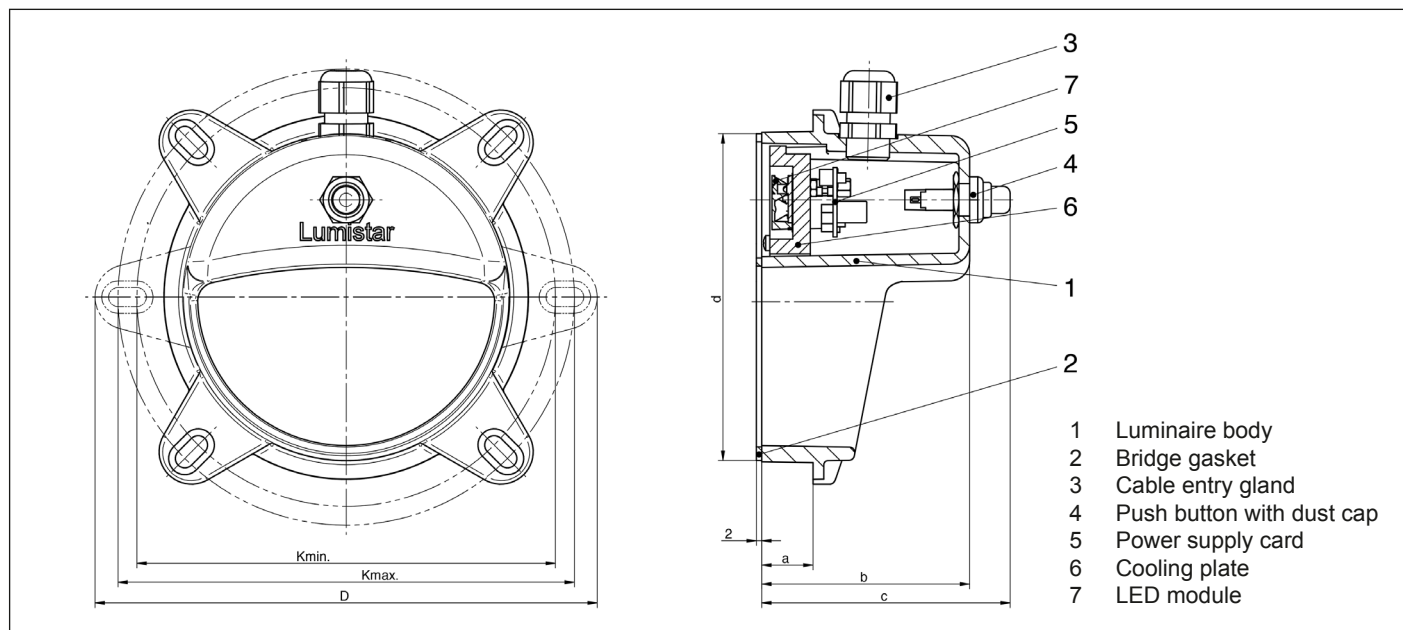
FI-06151 Porvoo

Phone +358 19 574 5700

e-mail [info@malux.fi](mailto:info@malux.fi)

[www.malux.fi](http://www.malux.fi)

• Dimensions and connecting data for Lumiglas luminaires Lumistar-LED:



• Parts, construction and materials:

Luminaire body: Corrosion resistant die cast aluminium, paint finish: RAL 9007

Lumistar-LED		1	2	3*	4*	5*	6*	7*
Size (= viewing diameter)		80	100	125	150	175	225	225
Matches to fitting to DIN 28120 or similar	DN	50	80	100	125	150	200	200
Operating voltage	V	24	24	24	24	24	24	230
Power	W	5	6	6	6 / 10	6 / 12	15 / 15 1x7 / 2x4 LED	15 / 15 1x7 / 2x4 LED
Bolt pitch circle Ø	K min.	104	126	155	180	208	258	258
	K max.	118	140	169	194	222	282	282
	D	135	157	186	211	243	303	303
	d	77	97	122	147	172	222	222
	a	13	17	19	22	27	32	32
	b	65	75	77	80	85	95	95
	c	80	90	92	95	100	110	110
Fixing oval hole		2 pcs. 14 x 7	2 pcs. 14 x 7	4 pcs. 14 x 7	4 pcs. 14 x 7	4 pcs. 16 x 9	4 pcs. 21 x 9	4 pcs. 21 x 9
Bolts		M 6 x 16	M 6 x 16	M 6 x 16	M 6 x 16	M 8 x 16	M 8 x 16	M 8 x 16
Weight appx.	kg	0.300	0.450	0.550	0.650	0.800	1.400	1.400
Luminous flux	lm	450	600	600	600/950	600/1200	800/1400	800/1400
Colour temp.	k	6500	6500	6500	6500	6500	5700	5700
Part no. with push button		3544.301.00	3544.321.00	3544.341.00	3544.367.00 / 3544.361.00	3544.387.00 / 3544.381.00	3544.407.00 / 3544.401.00	3544.410.00 / 3544.404.00
Part no. without push button		3544.302.00	3544.322.00	3544.342.00	3544.368.00 / 3544.362.00	3544.388.00 / 3544.382.00	3544.408.00 / 3544.402.00	3544.411.00 / 3544.405.00

\*Can be combined with Lumiglas sight glass wiper SW I.

• Order data: e. g. Lumiglas luminaire Lumistar 80-LED, part no. 3544.301.00, 24 V/5 W with push button

All dimensions in mm unless stated otherwise. Picture credits: ©F.H. Papenmeier GmbH & Co. KG. Subject to change without prior notice. 10.19