

Ex-Twilight switch

2 For use in Zones 1 and 2

For the comfortable and automatic control of lighting in hazardous areas.

This screw-in twilight switch has been approved for direct installation in Ex-d and Ex-e enclosures.

The electronics and the light-sensitive sensor are encapsulated in a flameproof light alloy enclosure with a M32 x 1.5 threaded connection. The encapsulated connection cables are 500 mm long.

The photocell has an electronic circuit with a low power consumption of less than 1 W and a voltage range of 100 V AC to 260 V AC 50/60Hz and switches a rated current of 10 A or a max. power of up to 1800 VA.

The electronics switch on immediately if the light falls below the threshold values. However, there is a 2 to 5 second switching-off delay to avoid accidental switching due to light flashes.



Features

- Switching capacity up to 1800 VA
- High degree of protection IP66
- Easy to install

Ordering details



Type	Content	Order No.
GHG 640 9601 P000x		
Twilight switch GHG 640 9601	Sensitivity 4 - 15 lux	GHG 640 9601 P0004

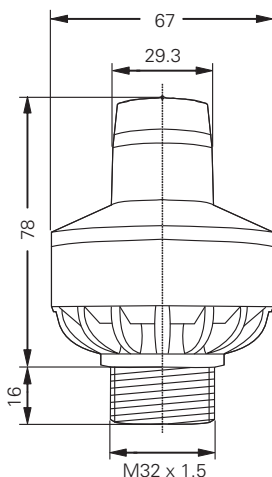
2



Technical data

Photocells GHG 640 9601 P000x

Marking accd. to 2014/34/EU	⊕ II 2 G Ex db IIC T6 Gb
EC-Type Examination Certificate	Sira 17 ATEX 1219 X
IECEX Certificate of conformity	IECEX CSA 17.0016 X
Marking accd. to IECEx	Ex db IIC T6 Gb
Permissible ambient temperature	-40 °C up to +70 °C
Rated voltage	100 V to 260 V AC
Rated current	max. 10 A
Frequency	50 - 60 Hz
Power consumption	<1 W
Rated switching capacity	1800 VA
Standard cable length	approx. 0.5 m, 3 x 1.5 mm ²
Protection class	I
Degree of protection accd. to EN 60529	IP66
Weight	0.25 kg
Type of mounting	screw in thread M32 x 1.5
Enclosure material	aluminium
Enclosure colour	grey



Dimensions in mm



EXKO 231 402 L 1122

Technical data

Twilight switch with Ex-e enclosure

Marking accd. to 2014/34/EU	⊕ II 2 G Ex Ex d e IIC T5 Gb
EC-Type Examination Certificate terminal box	GHG 721: BVS 13 ATEX E 013 X GHG 74: BVS 12 ATEX E 118 X
EC-Type Examination Certificate twilight switch	PTB 06 ATEX 1017 X
Permissible ambient temperature	-40°C to +55°C
IECEX Certificate of Conformity terminal box	GHG 721: IECEX BVS 13.0031X GHG 74: IECEX BVS 12.0071X
Marking accd. to IECEx	Ex d e IIC T5 Gb
Rated voltage	105 - 305 V 50/60 Hz
Rated current	max. 10 A
Protection class	I
Rated switching capacity	1800 VA
Light sensitivity	4 - 11 lux, 7 - 12 lux, 10 - 15 lux, adjustable, lower value "ON", upper value "OFF"
Degree of protection accd. to EN 60529	IP66
Enclosure material	glass-fibre reinforced polyester (GHG 721 00) or stainless steel (GHG 744 21)
Enclosure colour	black or polished

Ordering details twilight switch with Ex-e enclosure

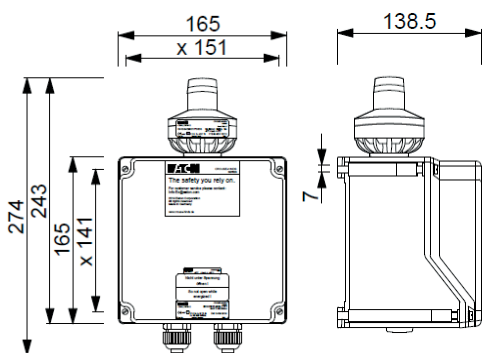
Type of enclosure	Enclosure Material	Cable entry	Type of gland	Terminals	Order No.
GHG 721 00	GRP	direct	2 x M20 threaded plug	6 x UT2.5 + 4 x UT2.5 PE	EXKO 231 402 L1121
GHG 721 00	GRP	direct	2 x M20 threaded plug	3 x UT4 + 2 x UT4 PE	EXKO 231 402 L1122
GHG 721 00	GRP	direct	1 x M25 cable gland	3 x UT4 + 2 x UT4 PE	EXKO 231 402 L1131
GHG 721 00	GRP	internal earth plate	1 x M20 threaded plug	3 x UT4 + 2 x UT4 PE	EXKO 231 402 L1212
GHG 721 00	GRP	internal earth plate +PE	1 x M20 threaded plug	4 x WDU2,5 + 2 x WPE4 + 1 x WPE10	EXKO 231 400 L3212

Other versions available on request



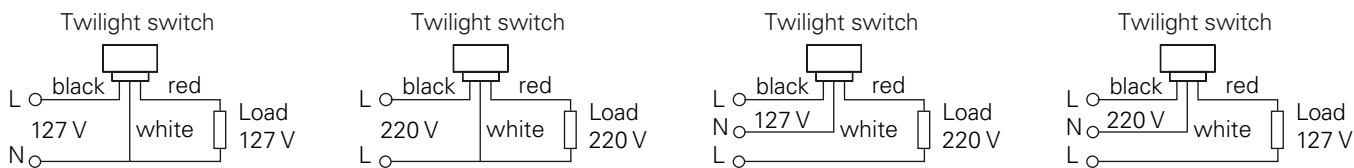
EXKO 231 402 L 1122

Dimension drawing | wiring diagram



GHG 721 00

Connection diagram for 220/127 V network



Connection diagram for 400/230 V network

