



Type 791 02

### Technical data

Type 791 02	
Marking accd. to 2014/34/EU	⊕ II 2 G Ex e IIC T5/T6 Gb / ⊕ II 2 D Ex tb IIIC T80°C Db
EC-Type Examination Certificate	BVS 16 ATEX E 031
IECEX Certificate of Conformity	IECEX BVS 16.0024
Marking accd. to IECEx	Ex e IIC T5/T6 Gb Ex tb IIIC T80°C Db
Permissible ambient temperature	-20 °C to +40 °C / -55 C to +55 °C (option)
Rated voltage	up to 690 V
Rated current	depends on terminal mounting
Degree of protection accd. to EN 60529	IP66
Enclosure material	Polyamide
Terminal cross section	up to 6 mm <sup>2</sup>
Weight	approx. 0.7 kg

### Ordering details

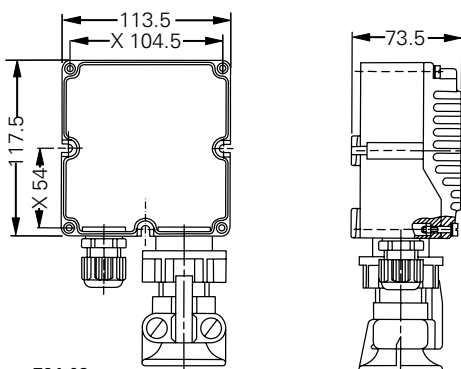
Type	Cable gland	No. of terminals	Order No.
<b>Type 791 02 assembled with screw terminals 2 x 4 mm<sup>2</sup> + 1 x PE-terminals 2 x 4 mm<sup>2</sup></b>			
Ex-e	1 x M25 cable gland 1 x M32 trumpet-shaped gland Ø 15-20 mm	4 x Ex-e 1 x PE	<b>GHG 791 0201 R0016</b>

Other versions for cable Ø 15 - 20 mm available on request.

### Accessories

Type	Application	Fixing method	Order No.
<b>Mounting plate for intermediate motor terminal box 791 02</b>			
Size 2	Wall mounting	snap on	<b>GHG 610 1953 R0104</b>
Size 2	Trellis mounting	snap on	<b>GHG 610 1953 R0106</b>
Size 2	Pipe clamp	snap on	<b>GHG 610 1953 R0105</b>
Protective canopy size 2	for mounting plate size 2		<b>GHG 610 1955 R0102</b>

### Dimension drawing



Type 791 02

X = fixing dimensions

## GHG 721 Ex-intermediate motor terminal boxes 10 mm<sup>2</sup>/16 mm<sup>2</sup>



Type 721 00 10 mm<sup>2</sup>



Type 721 00 16 mm<sup>2</sup>

### Technical data

#### Type 721 00

Marking accd. to 2014/34/EU	⊕ II 2 G Ex e IIC T4/T5/T6 Gb / ⊕ II 2 D Ex tb IIIC T80 °C/T95 °C IP6X
EC-Type Examination Certificate	BVS 13 ATEX 013X
IECEX Certificate of Conformity	IECEX BVS 13.0031X
Marking accd. to IECEx	Ex e IIC T4/T5/T6 Ex tb IIIC T80 °C/T95 °C Db IP6X
Permissible ambient temperature	-20 °C to +40 °C
Rated voltage	up to 690 V
Rated current	depends on terminal mounting
Degree of protection accd. to EN 60529	IP66
Terminal cross section	max. 10 mm <sup>2</sup> / max. 16 mm <sup>2</sup>
Enclosure material	glass-fibre reinforced polyester
Weight	721 00 approx. 1.0 kg / 721 10 approx. 1.1 kg

### Ordering details

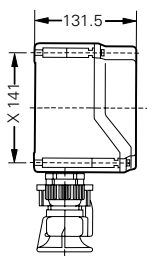
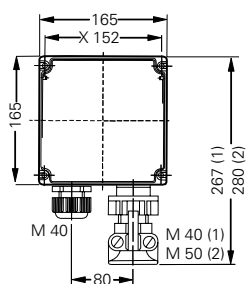
Type	Cable gland	No. of terminals	Order No.
<b>Type 721 00 assembled with screw terminals 2 x 10 mm<sup>2</sup> + 1 x PE-terminals 2 x 10 mm<sup>2</sup></b>			
Ex-e	1 x M40 cable gland 1 x M40 trumpet-shaped gland Ø 19-27 mm	4 x Ex-e 1 x PE	<b>GHG 721 0001 R0013</b>
<b>Type 721 00 assembled with screw terminals 2 x 16 mm<sup>2</sup> + 1 x PE-terminals 2 x 16 mm<sup>2</sup></b>			
Ex-e	1 x M50 Ø 21-35 mm 1 x M50 trumpet-shaped gland Ø 26-34 mm	4 x Ex-e 1 x PE	<b>GHG 721 0001 R0014</b>

Other applications available on request.

### Accessories

Type	Application	Fixing method	Order No.
<b>Mounting plate for intermediate motor terminal box 721 00</b>			
Size 2A	Wall mounting	snap on	<b>GHG 610 1953 R0107</b>
Size 2A	Trellis mounting	snap on	<b>GHG 610 1953 R0109</b>
Size 2A	Pipe clamp	snap on	<b>GHG 610 1953 R0108</b>
Protective canopy size 2A	for mounting plate size 2A		<b>GHG 610 1955 R0103</b>

### Dimension drawing



Type 721 00



Type 745 02

**Technical data**

**Type 745 02**

Marking accd. to 2014/34/EU	⊕ II 2 G Ex e IIC T4/T5/T6 Gb / ⊕ II 2 D Ex tb IIIC T80 °C/T95 °C Db IP6X
EC-Type Examination Certificate	BVS 12 ATEX E 118X
IECEX Certificate of Conformity	IECEX BVS 12.0071X
Marking accd. to IECEx	Ex e IIC T4/T5/T6 Gb Ex tD tb III T80 °C/T95 °C Db IP6X
Permissible ambient temperature	-20 °C to +40 °C
Rated voltage	up to 690 V
Rated current	depends on terminal mounting
Degree of protection accd. to EN 60529	IP66
Enclosure material	glass-fibre reinforced polyester
Terminal cross section	up to 35 mm <sup>2</sup> or max. 70 mm <sup>2</sup>
Weight	745 0201 R0002 approx. 3.0 kg / 745 0201 R0003 approx. 3.2 kg

**Ordering details**

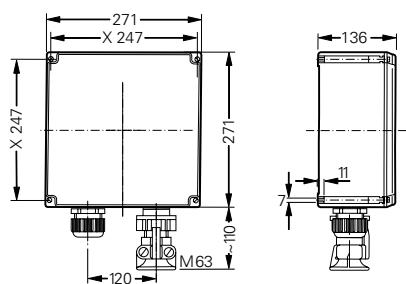
Type	Cable gland	No. of terminals	Order No.
<b>Type 745 02 assembled with screw terminals 2 x 35 mm<sup>2</sup> + 1 x PE-terminals 2 x 35 mm<sup>2</sup></b>			
Ex-e	1 x M50 Ø 21-35 mm 1 x M63 trumpet-shaped gland Ø 35-46 mm	4 x Ex-e 1 x PE	<b>GHG 745 0201 R0002</b>
<b>Type 745 02 assembled with screw terminals 2 x 50/70 mm<sup>2</sup> + 1 x PE-terminals 2 x 50/70 mm<sup>2</sup></b>			
Ex-e	1 x M50 Ø 21-35 mm 1 x M63 trumpet-shaped gland Ø 35-46 mm	4 x Ex-e 1 x PE	<b>GHG 745 0201 R0003</b>

Other applications available on request.

**Accessories**

Type	Application	Fixing method	Order No.
<b>Mounting plate for intermediate motor terminal box 745 02</b>			
Size 3	Pipe clamp	screwless mounting on 2 plates	<b>GHG 610 1953 R0108</b>
Protective canopy size 3	for mounting plate size 3		<b>GHG 610 1955 R0104</b>

**Dimension drawing**



Type 745 02

X = fixing dimensions

## GHG 746 Ex-intermediate motor terminal boxes 185 mm<sup>2</sup>/240 mm<sup>2</sup>



GHG 746 0301 R0001



GHG 746 0301 R0020

### Technical data

#### Type 746 03

Marking accd. to 2014/34/EU	⊕ II 2 G Ex e IIC T4/T5/T6 Gb / ⊕ II 2 D Ex tb IIIC T80 °C/T95 °C Db IP6X
EC-Type Examination Certificate	BVS 12 ATEX E 118X
IECEX Certificate of Conformity	IECEX BVS 12.0071X
Marking accd. to IECEx	Ex e IIC T4/T5/T6 Gb Ex tD tb III T80 °C/T95 °C Db IP6X
Permissible ambient temperature	-20 °C to +40 °C
Rated voltage	up to 690 V
Rated current	depends on terminal mounting
Degree of protection accd. to EN 60529	IP54
Cable gland	via double cable pothead
Enclosure material	glass-fibre reinforced polyester
Terminal cross section	up to 180 mm <sup>2</sup> or max. 240 mm <sup>2</sup>
Weight	746 0301 R0001 approx. 6.3 kg / 746 0301 R0008 approx. 16.5 kg

### Ordering details

Type	Cable gland	No. of terminals	Order No.
<b>Type 746 03 assembled with bold clamp 2 x 185 mm<sup>2</sup> + PE-bold clamp 2 x 185 mm<sup>2</sup></b>			
Ex-e	Double cable pothead 1 x entry sleeve 21-45 mm 1 x entry sleeve 46-72 mm	3 x Ex-e 1 x PE	<b>GHG 746 0301 R0001</b>
<b>Type 746 03 assembled with bold clamp 240 mm<sup>2</sup> + PE-bold clamp 240 mm<sup>2</sup></b>			
Ex-e	Double cable pothead 2 x entry sleeve 46-72 mm	6 x Ex-e 2 x PE	<b>GHG 746 0301 R0008</b>
<b>Type 746 03 assembled with bold clamp 240 mm<sup>2</sup> + PE-bold clamp 240 mm<sup>2</sup></b>			
Ex-e	Double cable pothead 3 x entry sleeve 46-72 mm	12 x Ex-e 4 x PE	<b>GHG 746 0301 R0020</b>

Other applications available on request.

**GHG 746 Ex-intermediate motor terminal boxes 185 mm<sup>2</sup>/240 mm<sup>2</sup>**

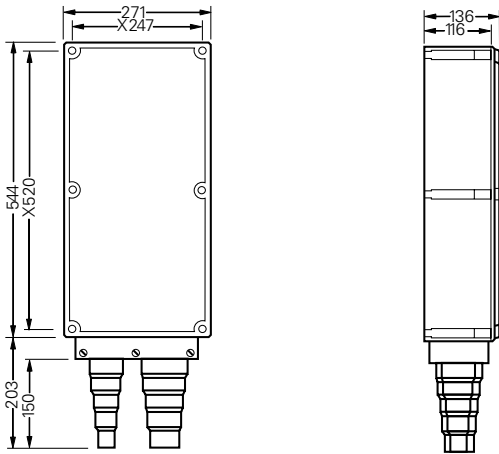


**GHG 746 0301 R0020**

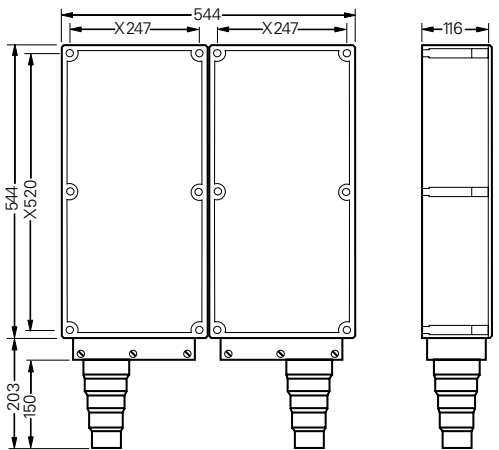


**GHG 746 0301 R0001**

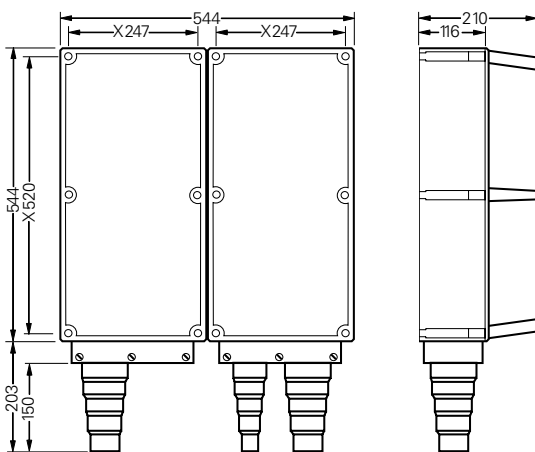
**Dimension drawing**



**GHG 746 0301 R0001**



**GHG 746 0301 R0008**



**GHG 746 0301 R0020**

**X = fixing dimension**