



# Specification

**Certification:** Certified to IEC60079-0, IEC60079-1  
 Certified to EN60079-0, EN60079-1  
 ATEX Cert. No. BAS99ATEX2196.  
 Ex II 2 G Ex d IIB T3/T4 Gb  
 IECEx Cert. No. IECEx BAS 10.0094  
 Ex d IIB T3/T4 Gb.  
 GOST 'R' Certified: 1Exd IIB T4/T5.  
 Inmetro Certified: B R-Ex d IIB T3/T4/T5/T6.

**Material:** Body: Glass reinforced polyester (GRP).  
 Lens: Glass  
 Cover screws and backstrap: Stainless steel 316.

**Finish:** Natural black or painted to customer specification.

**Voltage:** 24, 48V d.c. - 110, 120, 230, 240, 254V a.c.

**Bulb Life:** We do not recommend the continuous use of the TH12 for over 3 hours as this could adversely affect its life.

**Bulb Type:** 70 Watt H1 tungsten halogen bulb (24V).  
 55 Watt H1 tungsten halogen bulb (12V).

**Certified Temp:** -55°C to +70°C (T3).  
 -55°C to +55°C (T4).

**Weight:** 7.6kg.

**Ingress Protection:** IP66 & IP67.

**Entries:** 2 x M20 ISO.

**Terminals:** 6 x 6.0mm<sup>2</sup>.

**Labels:** Tag/Duty label option.

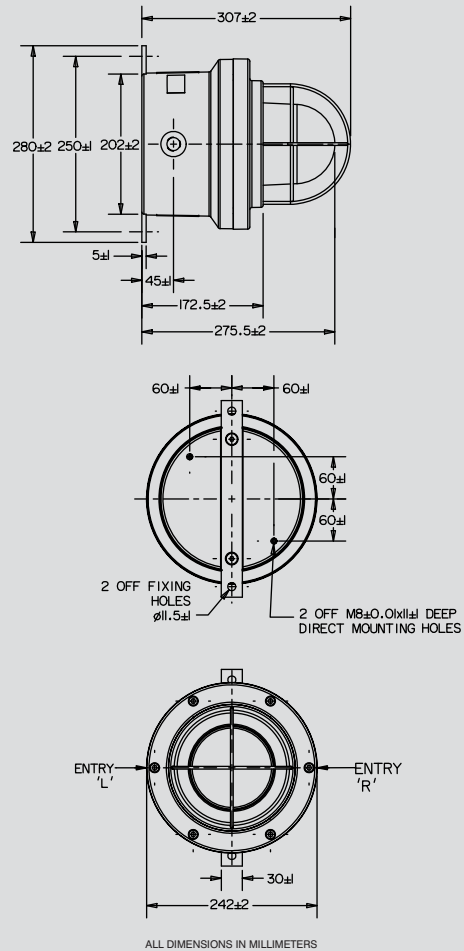
## Wattage

	55W	70W	70W	70W
<b>Voltage</b>	12 d.c.	24 d.c.	110 a.c.	240 a.c.
<b>Peak Current</b>	4.85A	2.92A	0.64A	0.34A

## Rotational Speed (r.p.m.)

	60	120	180
<b>Effective Intensity (Cd)</b>	3354	1957	895
<b>Peak Intensity (Cd)</b>	11164	11164	11164

Note: The above figures (Cd) are for a 70W lamp with clear lens.  
 Rotational speed may vary by ±20% of the stated r.p.m.



## Multiplying Factor for Colored Lenses: UL/UW/UM versions

Red	Blue	Amber	Green	Yellow
0.15	0.12	0.51	0.49	0.86

The photometric data has been verified by BSI, a report which is available if required.

# Ordering Requirements

The following code is designed to help in selection of the correct unit. Build up the reference number by inserting the code for each component into the appropriate box. **Standard products available for immediate shipping - contact sales office for details.**

Model	Certification	Speed	Voltage	Lens Colour	Lens Guard	Fixings	Options	Finish																																																										
TH12																																																																		
	<table border="1"> <thead> <tr> <th>Certification</th> <th>Code</th> </tr> </thead> <tbody> <tr> <td>ATEX</td> <td>B</td> </tr> <tr> <td>IECEX</td> <td>J</td> </tr> <tr> <td>GOST 'R'</td> <td>G</td> </tr> <tr> <td>Inmetro</td> <td>DM</td> </tr> </tbody> </table>	Certification	Code	ATEX	B	IECEX	J	GOST 'R'	G	Inmetro	DM	<table border="1"> <thead> <tr> <th>Speed</th> <th>Code</th> </tr> </thead> <tbody> <tr> <td>60 / min</td> <td>A</td> </tr> <tr> <td>120 / min</td> <td>B</td> </tr> <tr> <td>180 / min</td> <td>C*</td> </tr> </tbody> </table> <p>* Not available 110V a.c.</p>	Speed	Code	60 / min	A	120 / min	B	180 / min	C*	<table border="1"> <thead> <tr> <th>Voltage</th> <th>Code</th> </tr> </thead> <tbody> <tr> <td>12V d.c.</td> <td>012*</td> </tr> <tr> <td>24V d.c.</td> <td>024†</td> </tr> <tr> <td>110V a.c.</td> <td>110†</td> </tr> <tr> <td>240V a.c.</td> <td>240†</td> </tr> </tbody> </table> <p>* 55W only available 12V d.c.                      † 70W only available 24V d.c., 110V a.c. &amp; 240V a.c.</p>	Voltage	Code	12V d.c.	012*	24V d.c.	024†	110V a.c.	110†	240V a.c.	240†	<table border="1"> <thead> <tr> <th>Guard</th> <th>Code</th> </tr> </thead> <tbody> <tr> <td>None</td> <td>N</td> </tr> <tr> <td>Yes</td> <td>Y</td> </tr> </tbody> </table>	Guard	Code	None	N	Yes	Y	<table border="1"> <thead> <tr> <th>Option</th> <th>Code</th> </tr> </thead> <tbody> <tr> <td>Tag Label</td> <td>T*</td> </tr> <tr> <td>Duty Label</td> <td>D*</td> </tr> <tr> <td>Earth Continuity</td> <td>E</td> </tr> <tr> <td>None</td> <td>N</td> </tr> </tbody> </table> <p>* Please specify</p>	Option	Code	Tag Label	T*	Duty Label	D*	Earth Continuity	E	None	N	<table border="1"> <thead> <tr> <th>Finish</th> <th>Code</th> </tr> </thead> <tbody> <tr> <td>Natural Black</td> <td>N</td> </tr> <tr> <td>Red</td> <td>R</td> </tr> <tr> <td>Blue</td> <td>B</td> </tr> <tr> <td>Yellow</td> <td>Y</td> </tr> <tr> <td>Grey</td> <td>G</td> </tr> <tr> <td>White</td> <td>W</td> </tr> <tr> <td>Special</td> <td>S*</td> </tr> </tbody> </table> <p>* Please specify</p>	Finish	Code	Natural Black	N	Red	R	Blue	B	Yellow	Y	Grey	G	White	W	Special	S*
Certification	Code																																																																	
ATEX	B																																																																	
IECEX	J																																																																	
GOST 'R'	G																																																																	
Inmetro	DM																																																																	
Speed	Code																																																																	
60 / min	A																																																																	
120 / min	B																																																																	
180 / min	C*																																																																	
Voltage	Code																																																																	
12V d.c.	012*																																																																	
24V d.c.	024†																																																																	
110V a.c.	110†																																																																	
240V a.c.	240†																																																																	
Guard	Code																																																																	
None	N																																																																	
Yes	Y																																																																	
Option	Code																																																																	
Tag Label	T*																																																																	
Duty Label	D*																																																																	
Earth Continuity	E																																																																	
None	N																																																																	
Finish	Code																																																																	
Natural Black	N																																																																	
Red	R																																																																	
Blue	B																																																																	
Yellow	Y																																																																	
Grey	G																																																																	
White	W																																																																	
Special	S*																																																																	
				<table border="1"> <thead> <tr> <th>Colour</th> <th>Code</th> </tr> </thead> <tbody> <tr> <td>Red</td> <td>R</td> </tr> <tr> <td>Blue</td> <td>B</td> </tr> <tr> <td>Green</td> <td>G</td> </tr> <tr> <td>Amber</td> <td>A</td> </tr> <tr> <td>Yellow</td> <td>Y</td> </tr> <tr> <td>Clear</td> <td>C</td> </tr> </tbody> </table>	Colour	Code	Red	R	Blue	B	Green	G	Amber	A	Yellow	Y	Clear	C	<table border="1"> <thead> <tr> <th>Unit Fixings</th> <th>Code</th> </tr> </thead> <tbody> <tr> <td>Direct mount</td> <td>D</td> </tr> <tr> <td>Backstrap</td> <td>B</td> </tr> </tbody> </table>	Unit Fixings	Code	Direct mount	D	Backstrap	B																																									
Colour	Code																																																																	
Red	R																																																																	
Blue	B																																																																	
Green	G																																																																	
Amber	A																																																																	
Yellow	Y																																																																	
Clear	C																																																																	
Unit Fixings	Code																																																																	
Direct mount	D																																																																	
Backstrap	B																																																																	