

Circular Sight Glass Disc to DIN 7080

Data sheet 00.01

Dimension D x s (mm)	Viewing Diameter d ₁ (mm)	Nominal Pressure (bar)
DIN-Sizes		
63 x 10	48	16
80 x 12	65	16
94 x 11 ¹⁾	80 ¹⁾	6
100 x 15	80	16
113 x 15 ¹⁾	100 ¹⁾	6
125 x 15	100	10
125 x 20	100	16
141 x 15 ¹⁾	125 ¹⁾	6
150 x 20	125	10
150 x 25	125	16
166 x 15 ¹⁾	150 ¹⁾	6
175 x 20	150	10
175 x 25	150	16
200 x 20	175	8
200 x 25	175	10
200 x 30	175	16
250 x 25	225	8
250 x 30	225	10
Other dimensions on request		



• Safety precautions when using sight glass discs:

1. Whenever a sight glass assembly has been taken apart it is urgently recommended in accordance with DIN 7080 that the glass disc and gaskets are replaced by new ones. That is particularly important in the case of pressure vessels and/or aggressive media.

The following extract from DIN 7080 text is verbatim:

'Sight glass discs may only be installed by personnel who have been informed fully about the following requirements:

- care in handling sight glass discs
- cleaning of recesses, sight glass discs, gaskets and other parts i. e. removal of foreign bodies (e. g. swarf), prior to installation/reassembly
- even tightening of retaining bolts

Sight glass discs that have been removed after operating use must not be re used.'

2. Planned maintenance:

Sight glass discs should be included in routine maintenance and periodically checked visually or using ultrasound wall thickness measuring means. In the event of damage, a glass disc must be promptly exchanged, with the plant first having been brought to a standstill.

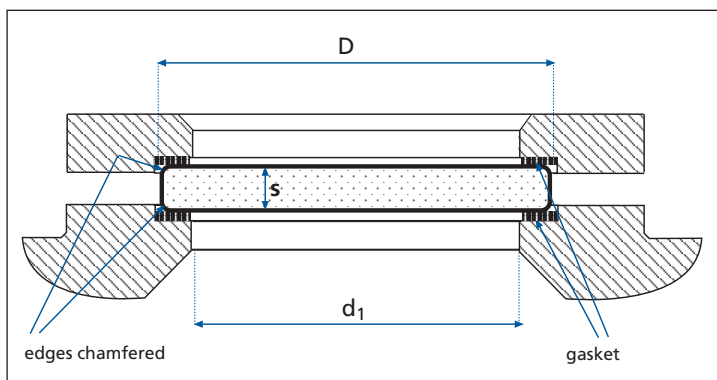
The service life of a sight glass – relative to the particular vessel in which it is mounted – should be established by regular and careful visual check of its condition. That will enable an exchange routine to suit the process to be set up.

3. Breakage of a sight glass:

In spite of careful installation and recommended use, sight glass discs can, on rare occasions, suffer breakage through external influences. In order to prevent the entry of glass particles into products of a critical nature, e. g. foodstuffs, appropriate safety precautions should be taken by the plant manufacturer or user.

¹⁾ As supplement to DIN standard for screwed sight glass fittings similar DIN 11851 – no DIN-dimension!

- For pressure duties at temperatures up to 280°C. No lower temperature limit
- Toughened borosilicate glass
- Ground and polished
- Optional extras possible, e. g. coating!



All dimensions in mm unless stated otherwise. Subject to change without prior notice.
ric 01.10 3755.162 a